

# WINCO<sup>®</sup> GENERATORS



An American Company

We produce our products in our 200,000ft<sup>2</sup> facility located in Le Center, Minnesota, equipped with modern engineering, fabrication and assembly capabilities.



## Cast-Iron Gearcase

Our own WINCO gearcases have proven their strength and durability for over 60 years and will keep doing so into the future.

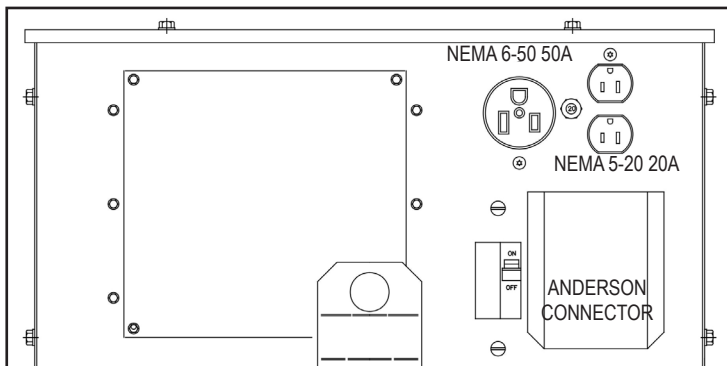


## Frequency Meter

Large, 3/12" hertz meter ensures the proper output is reached.



## Receptacle Panel



480V & 600V have Anderson connector only

# W100PTOS

100,000 WATTS

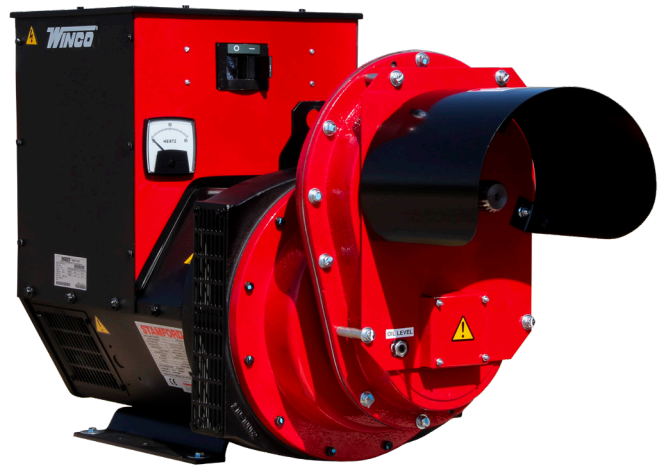
# W105PTOS

105,000 WATTS

# W120PTOS

120,000 WATTS

## Rugged Steel Design



## Brushless Industrial Gen End



# SPECIFICATIONS

## ELECTRICAL

MODEL NUMBER	VOLTS	STANDBY (125/40C)			CONTINUOUS (105/40C)			CIRCUIT BREAKER	INPUT HP <sup>(1)</sup>	MOTOR STARTING <sup>(2)</sup>
		WATTS	AMPS 1.0 PF	AMPS 0.8 PF	WATTS	AMPS 1.0 PF	AMPS 0.8PF			
W100PTOS-3	120/240 1-PH	100,000	416	N/A	100,000	416	N/A	400A	200	45 HP
W105PTOS-4	120/208 3-PH	105,000	291	364	96,000	266	333	350A	210	50 HP
W105PTOS-17	120/240 3-PH	105,000	253	315	96,000	231	288	300A	210	50 HP
W120PTOS-18	277/480 3-PH	120,000	144	180	117,000	140	176	175A	240	50 HP
W120PTOS-21	346/600 3-PH	120,000	115	144	117,000	112	140	175A	240	50 HP

NOTES: (1) Required HP at PTO of tractor for full rated power. Each 2 HP equals approximately 1kW of electric power. (2) Code G capacitor motor.

## 100-120PTO

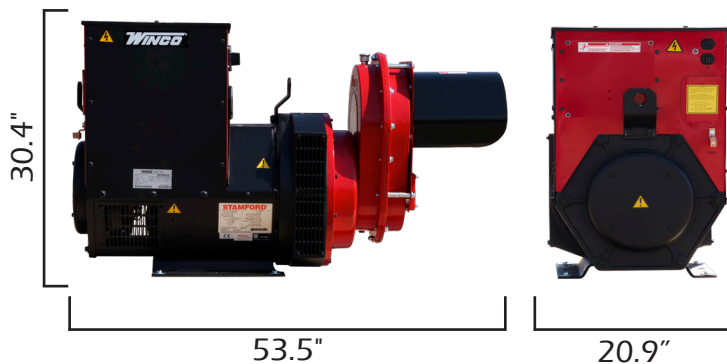
PTO INPUT SPEED	1000 RPM
INPUT SHAFT SIZE	1 3/4" - 20 SPLINE
FREQUENCY METER	STANDARD
NEUTRAL BONDED	YES
GROUND LUG	YES
GEARCASE OIL	SAE 85W-90-140
GEARCASE CAPACITY	2.75 PINTS

## OPTIONAL ACCESSORIES

PTO SHAFT	1 3/4" - 20 SPLINE 1 3/4" - 21 SPLINE
PTO TRAILER	TDM77
MANUAL TRANSFER SWITCH	VARIOUS

## SHIPPING

SHIPPING DIMENSIONS (L x W x H)	55" x 29" x 36"
SHIP WEIGHT	
W100PTOS	1,139 LBS
W105PTOS & W120PTOS	1,216 LBS
FREIGHT CLASS	65



Specifications are subject to change without notice.



## GEN END

LEAD	
SINGLE PHASE	4 LEAD
THREE PHASE	12 LEAD
WINDING NUMBER	
SINGLE PHASE	06
THREE PHASE	311
AVR	AS440
VOLTAGE REGULATION	+/- 1%
TOTAL HARMONIC DISTORTION	< 5%
GENERATOR SPEED	1800 RPM
STATOR WINDING	
SINGLE PHASE	SINGLE LAYER CONCENTRIC
THREE PHASE	DOUBLE LAYER CONCENTRIC
ROTOR	2/3 PITCH
TELEPHONE INTERFERENCE	TIF < 50
INSULATION PROTECTION	CLASS H IP23
BRUSHLESS	YES
EFFICIENCY PEAK 1.0 PF	
W100PTOS	82.2
W105PTOS & W120PTOS	89.4
120 VOLT RECEPTACLES <sup>(1)</sup>	(2) NEMA 5-20 20A
240 VOLT RECEPTACLES <sup>(1)</sup>	(1) NEMA 6-50 50A
FULL POWER ANDERSON RECEPTACLE	350 AMPS
FULL POWER ANDERSON PLUG	INCLUDED
ASSEMBLED IN	USA
UNIT WARRANTY <sup>(2)</sup>	3 YEARS

NOTES: (1) 480V & 600V have Anderson connector only. (2) For more generator warranty, see operator's manual.

