



*Owner's Manual*  
*For*  
*Automatic Transfer Switch*

**100 - 200 Amp, Three Phase, Service Entrance**

**Model Numbers**

**RTSW100G3**

**RTSW100J3**

**RTSW100K3**

**RTSW200G3**

**RTSW200J3**

**RTSW200K3**

MODEL NUMBER: \_\_\_\_\_

SERIAL NUMBER: \_\_\_\_\_

DATE PURCHASED: \_\_\_\_\_

WWW.GENERAC.COM

1-888-GENERAC

(1-888-436-3722)

Para español , visita: <http://www.generac.com/service-support/product-support-lookup>

**SAVE THIS MANUAL FOR FUTURE REFERENCE**

---

**⚠ WARNING**

California Proposition 65. Engine exhaust and some of its constituents are known to the state of California to cause cancer, birth defects, and other reproductive harm.

(000004)

---

**⚠ WARNING**

California Proposition 65. This product contains or emits chemicals known to the state of California to cause cancer, birth defects, and other reproductive harm.

(000005)

# Table of Contents

---

## **Section 1: Introduction and Safety**

<b>Introduction</b> .....	<b>1</b>
<b>Safety Rules</b> .....	<b>1</b>
<b>Safety Symbols and Meanings</b> .....	<b>2</b>
<b>General Hazards</b> .....	<b>3</b>

## **Section 2: General Information**

<b>Introduction</b> .....	<b>5</b>
<b>Unpacking</b> .....	<b>5</b>
<b>Equipment Description</b> .....	<b>5</b>
Transfer Switch Mechanism .....	5
Utility Service Circuit Breaker (if equipped) .....	6
<b>Transfer Switch Data Decal</b> .....	<b>6</b>
<b>Transfer Switch Enclosure</b> .....	<b>6</b>
<b>Safe Use of Transfer Switch</b> .....	<b>6</b>

## **Section 3: Installation**

<b>Introduction</b> .....	<b>7</b>
<b>Mounting</b> .....	<b>7</b>
<b>Connecting Power Source and Load Lines</b> .....	<b>7</b>
<b>Connecting Start Circuit Wires</b> .....	<b>7</b>
<b>Connecting Auxiliary Contacts</b> .....	<b>8</b>

## **Section 4: Operation**

<b>Functional Tests and Adjustments</b> .....	<b>9</b>
<b>Manual Operation</b> .....	<b>9</b>
Close to Normal Source Side .....	9
Close to Standby Source Side .....	9
Return to Normal Source Side .....	9
<b>Voltage Checks</b> .....	<b>10</b>
Utility Voltage Checks .....	10
Generator Voltage Checks .....	10
<b>Generator Tests Under Load</b> .....	<b>11</b>
<b>Checking Automatic Operation</b> .....	<b>11</b>
<b>Installation Summary</b> .....	<b>11</b>
<b>Shutting Generator Down While Under Load</b> ..	<b>11</b>

## **Section 5: Drawings and Diagrams**

<b>Installation Drawing</b> .....	<b>13</b>
100–200A Three Phase (Drawing 0L2826) .....	13
<b>Interconnection Drawing</b> .....	<b>14</b>
100-200A RTS Series Three Phase (Drawing 0L2828, Sheet 1 of 2) .....	14
<b>Interconnection Drawing</b> .....	<b>15</b>
100-200A RTS Series Three Phase (Drawing 0L2828, Sheet 2 of 2) .....	15
<b>Schematic Diagram</b> .....	<b>16</b>
100-200A 240VAC (Drawing 0L2832, Sheet 1 of 2) .	16
<b>Wiring Diagram</b> .....	<b>17</b>
100-200A 240VAC (Drawing 0L2832, Sheet 2 of 2) .	17
<b>Schematic Diagram</b> .....	<b>18</b>
100-200A 240VAC (Drawing 0L2832, Sheet 1 of 2) .	18
<b>Wiring Diagram</b> .....	<b>19</b>
100-200A 240VAC (Drawing 0L2832, Sheet 2 of 2) .	19
<b>Schematic Diagram</b> .....	<b>20</b>
100-200A 480VAC (Drawing 0L2833, Sheet 1 of 2) .	20
<b>Schematic Diagram</b> .....	<b>21</b>
100-200A 480VAC (Drawing 0L2833, Sheet 2 of 2) .	21

**This page intentionally left blank.**

# Section 1: Introduction and Safety

## Introduction

Thank you for purchasing a Generac Power Systems Inc. product. This unit has been designed to provide high-performance, efficient operation, and years of use when maintained properly.

Read this manual thoroughly and understand all of the instructions, cautions, and warnings before using this equipment. If any section of the manual is not understood, contact your nearest authorized dealer, or contact Generac Customer Service at Generac Customer Service at 1-888-436-3722 (1-888-GENERAC), or [www.generac.com](http://www.generac.com) with any questions or concerns.

The owner is responsible for proper maintenance and safe use of the equipment. Before operating or servicing this transfer switch:

- Study all warnings in this manual and on the product carefully.
- Become familiar with this manual and the unit before use.
- Refer to the Assembly section of the manual for instructions on final assembly procedures. Follow the instructions completely.

Save these instructions for future reference. ALWAYS supply this manual to any individual that will use this machine.

THE INFORMATION CONTAINED HEREIN WAS BASED ON MACHINES IN PRODUCTION AT THE TIME OF PUBLICATION. GENERAC RESERVES THE RIGHT TO MODIFY THIS MANUAL AT ANY TIME.

## Safety Rules

The manufacturer cannot anticipate every possible circumstance that might involve a hazard. The warnings in this manual, and on tags and decals affixed to the unit are, therefore, not all inclusive. If using a procedure, work method or operating technique that the manufacturer does not specifically recommend, verify that it is safe for others. Also make sure the procedure, work method or operating technique utilized does not render the equipment unsafe.

Throughout this publication, and on tags and decals affixed to the transfer switch, DANGER, WARNING, CAUTION and NOTE blocks are used to alert personnel to special instructions about a particular operation that may be hazardous if performed incorrectly or carelessly. Observe them carefully. Their definitions are as follows:

---

### DANGER

Indicates a hazardous situation which, if not avoided, will result in death or serious injury.

(000001)

---

### WARNING

Indicates a hazardous situation which, if not avoided, could result in death or serious injury.

(000002)

---

### CAUTION

Indicates a hazardous situation which, if not avoided, could result in minor or moderate injury.

(000003)

---

**NOTE:** Notes contain additional information important to a procedure and will be found within the regular text of this manual.

These safety warnings cannot eliminate the hazards that they indicate. Common sense and strict compliance with the special instructions while performing the action or service are essential to preventing accidents.

## Safety Symbols and Meanings



**⚠ DANGER**

Electrocution. High voltage is present at transfer switch and terminals. Contact with live terminals will result in death or serious injury.

(000129)



**⚠ DANGER**

Electrocution. Water contact with a power source, if not avoided, will result in death or serious injury.

(000104)



**⚠ DANGER**

Electrocution. In the event of electrical accident, immediately shut power OFF. Use non-conductive implements to free victim from live conductor. Apply first aid and get medical help. Failure to do so will result in death or serious injury.

(000145)

**⚠ DANGER**

Electrical backfeed. Use only approved switchgear to isolate generator when electrical utility is the primary power source. Failure to do so will result in death, serious injury, and equipment damage.

(000131a)



**⚠ DANGER**

Electrocution, equipment and property damage. Handle transfer switches carefully when installing. Never install a damaged transfer switch. Doing so could result in death or serious injury, equipment and property damage.

(000195)



**⚠ DANGER**

Electrocution. Turn utility supply OFF before working on utility connections of the transfer switch. Failure to do so will result in death or serious injury.

(000123)



**⚠ DANGER**

Electrocution. Do not disable or modify the connection box door safety switch. Doing so will result in death or serious injury.

(000157)

**⚠ DANGER**

Automatic start-up. Disconnect utility power and render unit inoperable before working on unit. Failure to do so will result in death or serious injury.

(000191)

**⚠ DANGER**

Equipment malfunction. Installing a dirty or damaged transfer switch will cause equipment malfunction and will result in death or serious injury.

(000119)



**⚠ WARNING**

Consult Manual. Read and understand manual completely before using product. Failure to completely understand manual and product could result in death or serious injury.

(000100a)

**⚠ WARNING**

Only a trained and licensed electrician should perform wiring and connections to unit. Failure to follow proper installation requirements could result in death, serious injury, and damage to equipment or property.

(000155)

**⚠ CAUTION**

Equipment damage. Verify all conductors are tightened to the factory specified torque value. Failure to do so could result in damage to the switch base.

(000120)

**⚠ CAUTION**

Equipment damage. Perform functional tests in the exact order they are presented in the manual. Failure to do so could result in equipment damage.

(000121)

**⚠ CAUTION**

Equipment damage. Exceeding rated voltage and current will damage the auxiliary contacts. Verify that voltage and current are within specification before energizing this equipment.

(000134a)

---

## General Hazards

- Any AC generator that is used for backup power if a NORMAL (UTILITY) power source failure occurs must be isolated from the NORMAL (UTILITY) power source by means of an approved transfer switch. Failure to properly isolate the NORMAL and STANDBY power sources from each other may result in injury or death to electric utility workers, due to backfeed of electrical energy.
- Extremely high power and dangerous voltages are present inside an installed transfer switch. Any contact with high voltage terminals, contacts or wires can result in LETHAL electric shock, while arc flash can cause blindness and severe burns. DO NOT WORK ON THE TRANSFER SWITCH UNTIL YOU HAVE CONFIRMED THAT ALL POWER SUPPLIES TO THE SWITCH ARE TURNED OFF.
- Competent, qualified personnel should install, operate and service this equipment. Adhere strictly to local, state and national electrical and building codes. When using this equipment, comply with regulations the National Electrical Code (NEC), CSA Standard; C22.1 Canadian Electric Code and Occupational Safety and Health Administration (OSHA) have established.
- Never handle any kind of electrical device while standing in water, while barefoot, or while hands or feet are wet. DANGEROUS ELECTRICAL SHOCK MAY RESULT.
- Because jewelry conducts electricity, wearing it may cause dangerous electrical shock. Remove all jewelry (such as rings, watches, bracelets, etc.) before working on this equipment.
- If working on this equipment while standing on metal or concrete, place insulative mats over a dry wood platform. Work on this equipment only while standing on such insulative mats.
- Never work on this equipment while physically or mentally fatigued.
- Keep the transfer switch enclosure door closed and bolted at all times. Only qualified personnel should be permitted access to the switch interior.
- When an automatic transfer switch is installed for a standby generator set, the generator engine may crank and start at any time without warning. To avoid possible injury that might be caused by such sudden start-ups, the system's automatic start circuit must be disabled before working on or around the generator or transfer switch. Then place a "DO NOT OPERATE" tag on the transfer switch and on the generator.
- Any voltage measurements should be performed with a meter that meets UL3111 safety standards, and meets or exceeds overvoltage class CAT III.

**This page intentionally left blank.**



## Section 2: General Information

### Introduction

Thank you for purchasing a Generac transfer switch. This manual has been prepared especially for the purpose of familiarizing personnel with the design, application, installation, operation and servicing of the applicable equipment. Read this manual carefully and comply with all instructions. This will help to prevent accidents or damage to equipment that might otherwise be caused by carelessness, incorrect application, or improper procedures.

Every effort has been expended to make sure that the contents of this manual are both accurate and current. The manufacturer, however, reserves the right to change, alter or otherwise improve the product or manual at any time without prior notice.

### Unpacking

Carefully unpack the transfer switch. Inspect closely for any damage that might have occurred during shipment. The purchaser must file with the carrier any claims for loss or damage incurred while in transit.

Check that all packing material is completely removed from the switch prior to installation.

### Equipment Description

The automatic transfer switch is used for transferring electrical load from a UTILITY (NORMAL) power source to a GENERATOR (STANDBY) power source. Such a transfer of electrical loads occurs automatically when the UTILITY power source has failed or is substantially reduced and the GENERATOR source voltage and frequency have reached an acceptable level. The transfer switch prevents electrical feedback between two different power sources (such as the UTILITY and GENERATOR sources) and, for that reason, codes require it in all standby electric system installations.

The transfer switch consists of a transfer mechanism, utility service disconnect circuit breaker (if equipped), a control relay, fuses, terminal strip, and fuse holder for connection of sensing wires.

This transfer switch is suitable for use as service equipment.

### Transfer Switch Mechanism

These switches ([Figure 2-1](#)) are used with a three-phase system when the three-phase NEUTRAL line is to be connected to a neutral lug and is not to be switched.

Solderless, screw-type terminal lugs are standard.

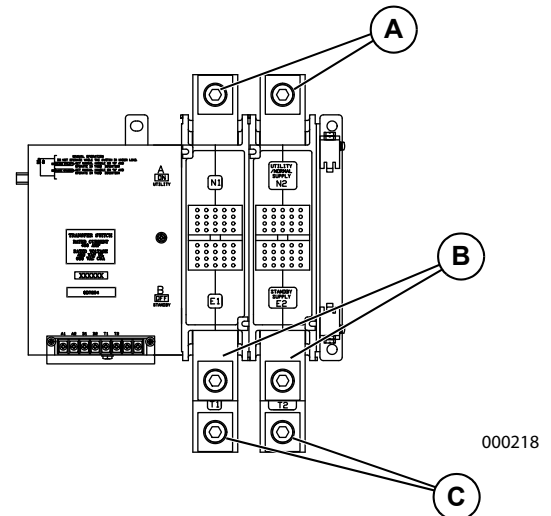
The conductor size range is as follows:

Switch Rating	Wire Size	Torque
100A	#6-2/0 AWG	2/0-#3: 50 in-lb (5.6 Nm) #4-6: 45 in-lb (5.1 Nm) #8: 40 in-lb (4.5 Nm) #10-#14: 35 in-lb (4.0 Nm)
200A	#4-400 MCM	275 in-lb (31.1 Nm)

This transfer switch is suitable for control of motors, electric discharge lamps, tungsten filament and electric heating equipment where the sum of motor full load ampere ratings and the ampere ratings of other loads do not exceed the ampere rating of the switch and the tungsten load does not exceed 30 percent of the switch rating.

This UL listed transfer switch is for use in optional standby systems only (NEC article 702).

The 100A transfer switch is suitable for use on a circuit capable of 14,000 rms symmetrical amperes, 480 VAC maximum. The 200A transfer switch is suitable for use on a circuit capable of 18,000 rms symmetrical amperes, 480 VAC maximum.



000218

**Figure 2-1. Typical Single-Phase ATS Transfer Mechanism**

A	Utility Lugs (N1, N2)
B	Generator Lugs (E1, E2)
C	Load Lugs (T1, T2)

## Utility Service Circuit Breaker

The utility service circuit breakers for the 100/200 amp models are:

- Type 225AF, 3 Pole
- 240/480 VAC, 100A/200A
- 50/60 Hertz
- Wire range:
  - Line—300 MCM - 6 STR (Cu/Al)
- The conductor tightening torque is:
  - Line—375 in-lbs (42.4 Nm)

## Transfer Switch Data Decal

A data decal is permanently affixed to the transfer switch enclosure. Use this transfer switch only with the specific limits shown on the data decal and on other decals and labels that may be affixed to the switch. This will prevent damage to equipment and property.

When requesting information or ordering parts for this equipment, make sure to include all information from the data decal.

For future reference, record the Model and Serial numbers in the space provided on the front cover of this manual.

## Transfer Switch Enclosure

The standard switch enclosure is a National Electrical Manufacturer's Association (NEMA) and UL 3R type. UL and NEMA 3R (indoor/outdoor rated) type enclosures primarily provide a degree of protection against falling rain and sleet, and are undamaged by the formation of ice on the enclosure.

## Safe Use of Transfer Switch



### **WARNING**

Consult Manual. Read and understand manual completely before using product. Failure to completely understand manual and product could result in death or serious injury. (000100a)

Before installing, operating or servicing this equipment, read **Introduction and Safety** carefully. Comply strictly with all information presented in **Introduction and Safety** to prevent accidents and/or damage to the equipment. The manufacturer recommends that a copy of **Introduction and Safety** be posted near the transfer switch. Also, be sure to read all instructions and information found on tags, labels and decals affixed to the equipment.

Two publications that outline the safe use of transfer switches are the following:

- NFPA 70; National Electrical Code
- UL 1008, STANDARD FOR SAFETY-AUTOMATIC TRANSFER SWITCHES

**NOTE:** It is essential to use the latest version of any standard to ensure correct and current information.

## Section 3: Installation

### Introduction

This equipment has been wired and tested at the factory. Installing the switch includes the following procedures:

- Mounting the enclosure.
- Connecting power source and load leads.
- Connecting the generator start and sensing circuit.
- Connecting any auxiliary contact (if needed).
- Testing functions.

### Mounting

Mounting dimensions for the transfer switch enclosure are in this manual. Enclosures are typically wall-mounted. See [Drawings and Diagrams](#).

#### **⚠ DANGER**

Equipment malfunction. Installing a dirty or damaged transfer switch will cause equipment malfunction and will result in death or serious injury.

(000119)

This transfer switch is mounted in a UL type 3R enclosure. It can be mounted outside or inside and should be based on the layout of installation, convenience and proximity to the utility supply and load center.

Install the transfer switch as close as possible to the electrical loads that are to be connected to it. Mount the switch vertically to a rigid supporting structure. To prevent switch distortion, level all mounting points. If necessary, use washers behind mounting holes to level the unit.

### Connecting Power Source and Load Lines



#### **⚠ DANGER**

Electrocution. Turn utility and emergency power supplies to OFF before connecting power source and load lines. Failure to do so will result in death or serious injury. (000116)

Installation and interconnection diagrams are provided in this manual.

**NOTE:** All installations must comply with national, state and local codes. It is the responsibility of the installer to perform an installation that will pass the final electrical inspection.

The utility supply connection is made at the utility service disconnect circuit breaker terminals. The generator and customer load connections are made at the transfer switch mechanism, inside the switch enclosure.

Conductor sizes must be adequate to handle the maximum current to which they will be subjected, based on the American Wire Gauge (AWG) 167°F (75°C) column of tables, charts, etc. used to size conductors. The installation must comply fully with all applicable codes, standards and regulations.

All power cables can enter the enclosure through the knockouts provided. If not using the knockouts, conduit entry into the enclosure above the level of uninsulated

live parts shall use fittings listed for use in wet locations to maintain the Type 3R rating. Conduits should be arranged to provide separation between the Utility and Generator supply conductors inside the enclosure.

**NOTE:** If aluminum conductors are used, apply corrosion inhibitor to conductors. After tightening terminal lugs, carefully wipe away any excess corrosion inhibitor.

Tighten terminal lugs to the torque values as noted on the decal located on the inside of the door. After tightening terminal lugs, carefully wipe away any excess corrosion inhibitor.

#### **⚠ CAUTION**

Equipment damage. Verify all conductors are tightened to the factory specified torque value. Failure to do so could result in damage to the switch base. (000120)

Connect power source and load conductors to clearly marked terminal lugs on transfer mechanism as follows:

1. Connect utility (normal) power source cables to utility service disconnect circuit breaker.
2. Connect the generator (standby) source power cables to transfer switch terminals E1, E2., and E3
3. Connect customer LOAD leads to switch terminals T1, T2, and T3.

### Connecting Start Circuit Wires

Control system interconnections may consist of N1, N2, and T1, and leads 23 and 194. The generator control wiring is a Class 1 signaling circuit. Reference the Installation Manual of the specific generator for wiring connection details. Recommended wire gauge sizes for this wiring depends on the length of the wire, as recommended in the following chart:

Maximum Wire Length	Recommended Wire Size
1–115 ft (1–35 m)	No. 18 AWG
116–185 ft (36–56 m)	No. 16 AWG
186–295 ft (57–89 m)	No. 14 AWG
296–460 ft (90–140 m)	No. 12 AWG

**Exception:** Conductors of AC and DC circuits, rated 1000 volts nominal or less, shall be permitted to occupy the same equipment, cable, or conduit. All conductors shall have an insulation rating equal to at least the maximum circuit voltage applied to any conductor within the equipment, cable, or conduit. See NEC 300.3(C)(1).

**NOTE:** An RTS series transfer switch without a T1/ Fused connection must use a 120VAC protected circuit from the panel board to power the battery charge circuit (dedicated 15/20 amp circuit).

### Connecting Auxiliary Contacts

If desired, there are Auxiliary Contacts on the transfer switch to operate customer accessories, remote advisory lights, or remote annunciator devices. A suitable power source must be connected to the common terminal (D). See **Figure 3-1**.

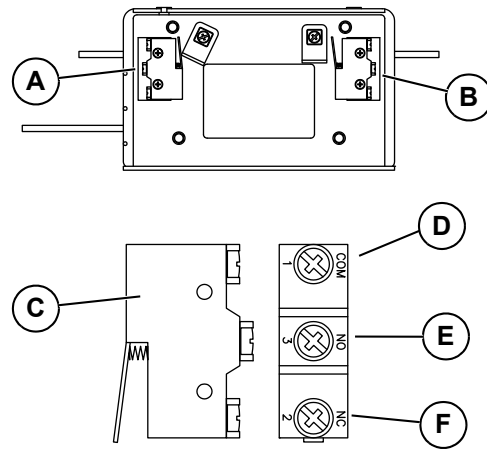
Contact operation is shown in the following chart:

	Switch Position	
	Utility	Standby
Common to Normally Open	Open	Closed
Common to Normally Closed	Closed	Open

NOTE: Auxiliary Contacts are rated 10 amps at 125 or 250 volts AC.

**CAUTION**

Equipment damage. Exceeding rated voltage and current will damage the auxiliary contacts. Verify that voltage and current are within specification before energizing this equipment. (000134a)



000140

**Figure 3-1. Auxiliary Contacts**

A	Auxiliary Contact (Actuated)
B	Auxiliary Contact (Non-Actuated)
C	Single Contact (Utility Position)
D	Common Terminal
E	Normally Open Terminal
F	Normally Closed Terminal

## Section 4: Operation

### Functional Tests and Adjustments

Following transfer switch installation and interconnection, inspect the entire installation carefully. A competent, qualified electrician should inspect it. The installation must comply strictly with all applicable codes, standards, and regulations. When absolutely certain the installation is proper and correct, complete a functional test of the system.



Equipment damage. Perform functional tests in the exact order they are presented in the manual. Failure to do so could result in equipment damage.

(000121)

**IMPORTANT:** Before proceeding with functional tests, read and make sure all instructions and information in this section is understood. Also read the information and instructions of labels and decals affixed to the switch. Note any options or accessories that might be installed and review their operation.

### Manual Operation



Electrocution. Do not manually transfer under load. Disconnect transfer switch from all power sources prior to manual transfer. Failure to do so will result in death or serious injury, and equipment damage.

(000132)

A manual handle is shipped with the transfer switch. See 1 in [Figure 4-1](#). Manual operation must be checked BEFORE the transfer switch is operated electrically. To check manual operation, proceed as follows:

1. Ensure the generator is in the OFF mode.
2. Turn OFF or OPEN both UTILITY and EMERGENCY power supplies to the transfer switch, with whatever means provided (such as the main line circuit breakers).
3. Note position of transfer mechanism main contacts by observing display windows in “A” and “B” (3 and 4 in [Figure 4-1](#)) as follows:
  - Window “A” ON, Window “B” OFF - LOAD terminals (T1, T2, T3) are connected to utility terminals (N1, N2, N3).
  - Window “A” OFF, Window “B” ON - LOAD terminals (T1, T2, T3) are connected to emergency terminals (E1, E2, E3).



Equipment damage. Do not use excessive force while manually operating the transfer switch. Doing so could result in equipment damage.

(000122)

### Close to Normal Source Side

Before proceeding, verify the position of the switch by observing Window “A” in [Figure 4-1](#). If Window “A” reads “ON”, the contacts are closed in the normal position, no further action is required. If it reads “OFF”, proceed as follows:

1. Attach handle to the actuating shaft (see 2 in [Figure 4-1](#)).
2. Move handle in the direction of the arrow on the switch cover until it stops — DO NOT FORCE.
3. Release handle slowly to allow the spring in the switch box to relax. “ON” now appears in Window “A” and “OFF” appears in Window “B”.

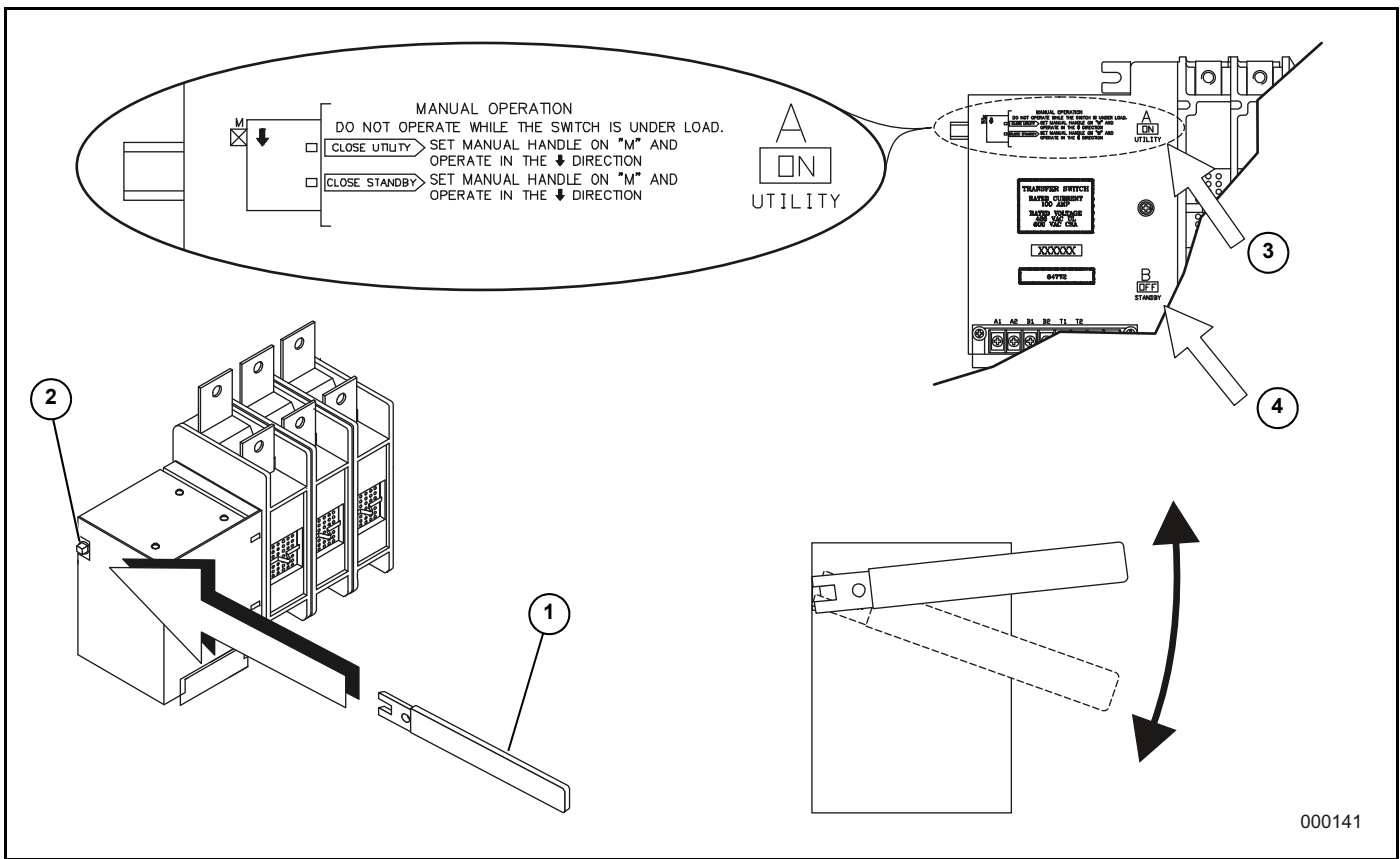
### Close to Standby Source Side

Before proceeding, verify the position of the switch by observing Window “B” in [Figure 4-1](#). If Window “B” reads “ON”, the contacts are closed in the EMERGENCY (STANDBY) position. No further action is required. If it reads “OFF”, proceed as follows:

1. Attach handle to the actuating shaft (see 2 in [Figure 4-1](#)).
2. Move the handle in the direction of the arrow on the switch cover until it stops - DO NOT FORCE.
3. Release handle slowly to allow the spring in the switch box to relax. “OFF” now appears in Window “A” and “ON” appears in Window “B”.

### Return to Normal Source Side

Manually actuate switch to return Window “A” to the “ON” position.



**Figure 4-1. Actuating Transfer Switch**

**Voltage Checks**

**Utility Voltage Checks**

1. Turn ON the UTILITY power supply to the transfer switch with whatever means provided (such as the UTILITY main line circuit breaker).



**⚠ DANGER**

Electrocution. High voltage is present at transfer switch and terminals. Contact with live terminals will result in death or serious injury.

(000129)

2. With an accurate AC voltmeter, check for correct voltage. Measure across ATS terminal lugs N1 and N2; N2 and N3; N1 to NEUTRAL, N2 to NEUTRAL, and N3 to NEUTRAL.



**⚠ DANGER**

Electrocution. Turn utility supply OFF before working on utility connections of the transfer switch. Failure to do so will result in death or serious injury.

(000123)

**Generator Voltage Checks**

1. On the generator panel, select the MANUAL mode of operation. The generator should crank and start.
2. Let the generator stabilize and warm up at no-load for at least five minutes.
3. Set the generator main circuit breaker (CB1) to ON or CLOSED.



**⚠ DANGER**

Electrocution. High voltage is present at transfer switch and terminals. Contact with live terminals will result in death or serious injury.

(000129)

4. With an accurate AC voltmeter and frequency meter, check the no-load, voltage and frequency. Measure across ATS terminal lugs E1 to E2; E2 to E3; E1 to NEUTRAL, E2 to NEUTRAL; and E3 to NEUTRAL. Frequency should be 60–62 Hz.
5. When certain that Three Phase Rotation is correct, and generator supply voltage is correct and compatible with transfer switch ratings, turn OFF the generator supply to the transfer switch.
6. Set the generator main circuit breaker (CB1) to OFF or OPEN.
7. On the generator panel, select the OFF mode to shut down the generator.

**NOTE:** Do NOT proceed until generator AC output voltage and frequency are correct and within stated limits. If the no-load voltage is correct but no-load frequency is incorrect, the engine governed speed may require adjustment. If no-load frequency is correct but voltage is not, the voltage regulator may require adjustment.

### Generator Tests Under Load

1. Turn OFF the utility power supply to the transfer switch with whatever means provided (such as the utility main line circuit breaker).
2. Set the generator main circuit breaker to OFF or OPEN.
3. Manually actuate the transfer switch main contacts to the emergency (Standby) position. See [Manual Operation](#). To start the generator, select the MANUAL mode of operation. When engine starts, let it stabilize for a few minutes.
4. Set the generator main circuit breaker to ON or CLOSED. The generator now powers all LOAD circuits. Check generator operation under load as follows:
  - Turn on electrical loads to the full rated wattage/ amperage capacity of the generator. DO NOT OVERLOAD.
  - With maximum rated load applied, check voltage and frequency across transfer switch terminals E1 and E2. Frequency should be greater than 59 Hz.
  - Let the generator run under rated load for at least 30 minutes. With unit running, listen for unusual noises, vibration, overheating, etc., that might indicate a problem.
5. When checkout under load is complete, set main circuit breaker of the generator to the OFF or OPEN position.
6. Let the generator run at no-load for several minutes. Then, shut down by selecting the OFF mode.
7. Move the main switch contacts back to UTILITY.

**NOTE:** See [Manual Operation](#). Handle and operating lever of transfer switch should be in down position.

8. Turn on the utility power supply to transfer switch, using whatever means provided (such as a utility main line circuit breaker). The utility power source now powers the loads.
9. The system is now set for fully automatic operation.

### Checking Automatic Operation

To check the system for proper automatic operation, proceed as follows:

1. Verify generator is in OFF mode.
2. Install front cover of the transfer switch.
3. Turn the utility power supply to the transfer switch ON, using the utility main line circuit breaker.
4. Set the generator main circuit breaker to ON.
5. On the generator panel, select AUTO. The system is now ready for automatic operation.
6. Turn utility power supply to the transfer switch OFF.

With the generator ready for automatic operation, the engine should crank and start when the utility source power is turned OFF after a ten second delay (factory default setting). After starting, the transfer switch should connect load circuits to the standby side after a five (5) second delay. Let the system operate through its entire automatic sequence of operation.

### Installation Summary

1. Verify the installation has been properly performed as outlined by the manufacturer and that it meets all applicable laws and codes.
2. Verify proper operation of the system as outlined in the appropriate Installation and Owner's Manuals.
3. Educate the end user on the proper operation, maintenance and service call procedures.

### Shutting Generator Down While Under Load

**Important!** To turn the generator off during utility outages to perform maintenance, or conserve fuel, follow these important steps:

To turn the generator OFF (while running in AUTO and online):

1. Turn the main utility disconnect OFF.
2. Turn the main line circuit breaker (MLCB) on the generator to OFF (OPEN).
3. Let the generator run at no-load several minutes.
4. Turn the generator OFF.

To turn the generator back ON:

1. Put the generator back into AUTO and allow to start and warm-up for a few minutes.
2. Set the MLCB on the generator to ON.

The system will now be operating in its automatic mode. The main utility disconnect can be turned ON (CLOSED).

**NOTE:** To shut the unit off, this complete process must be repeated.

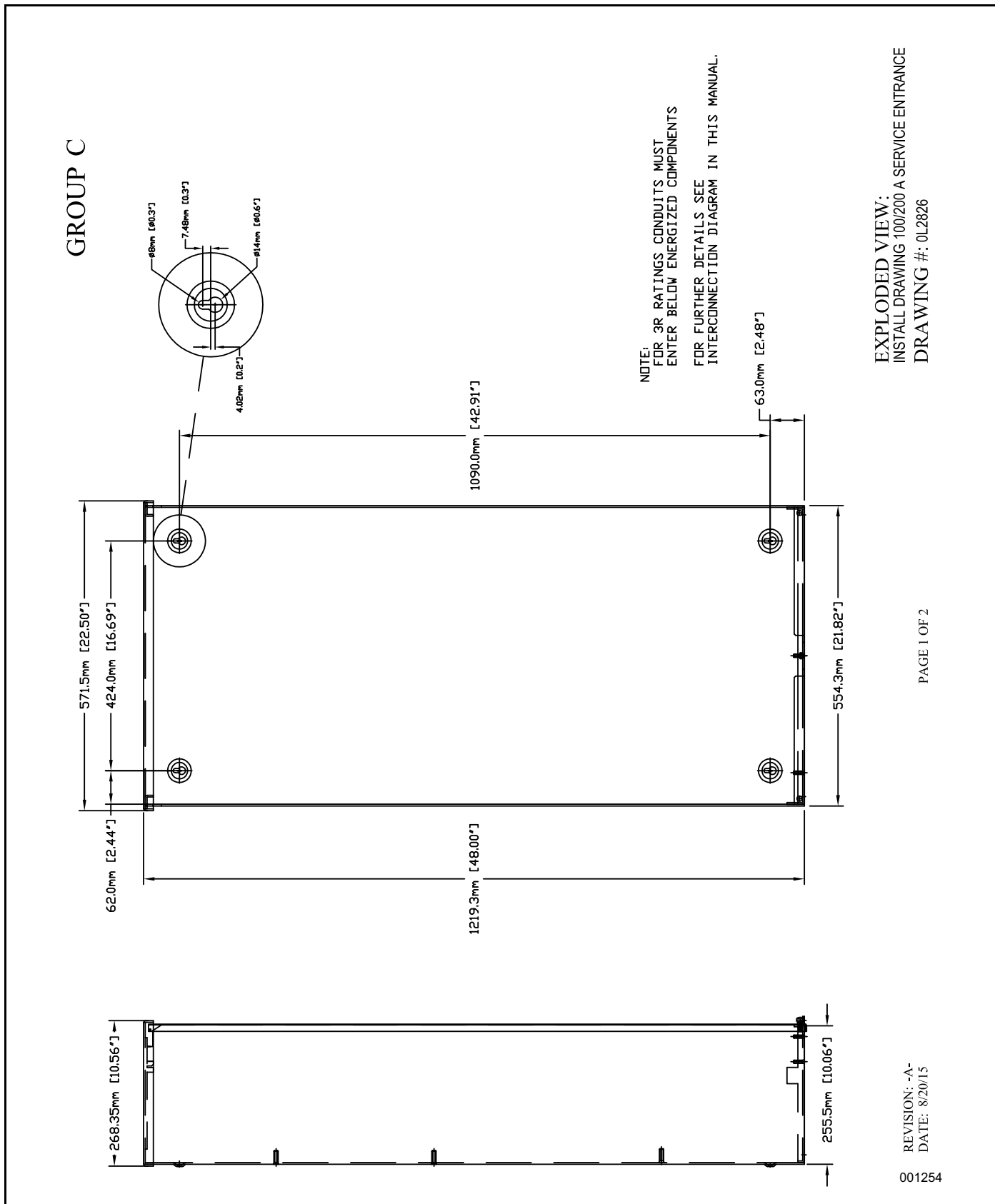
**This page intentionally left blank.**



# Section 5 Drawings and Diagrams

## Installation Drawing

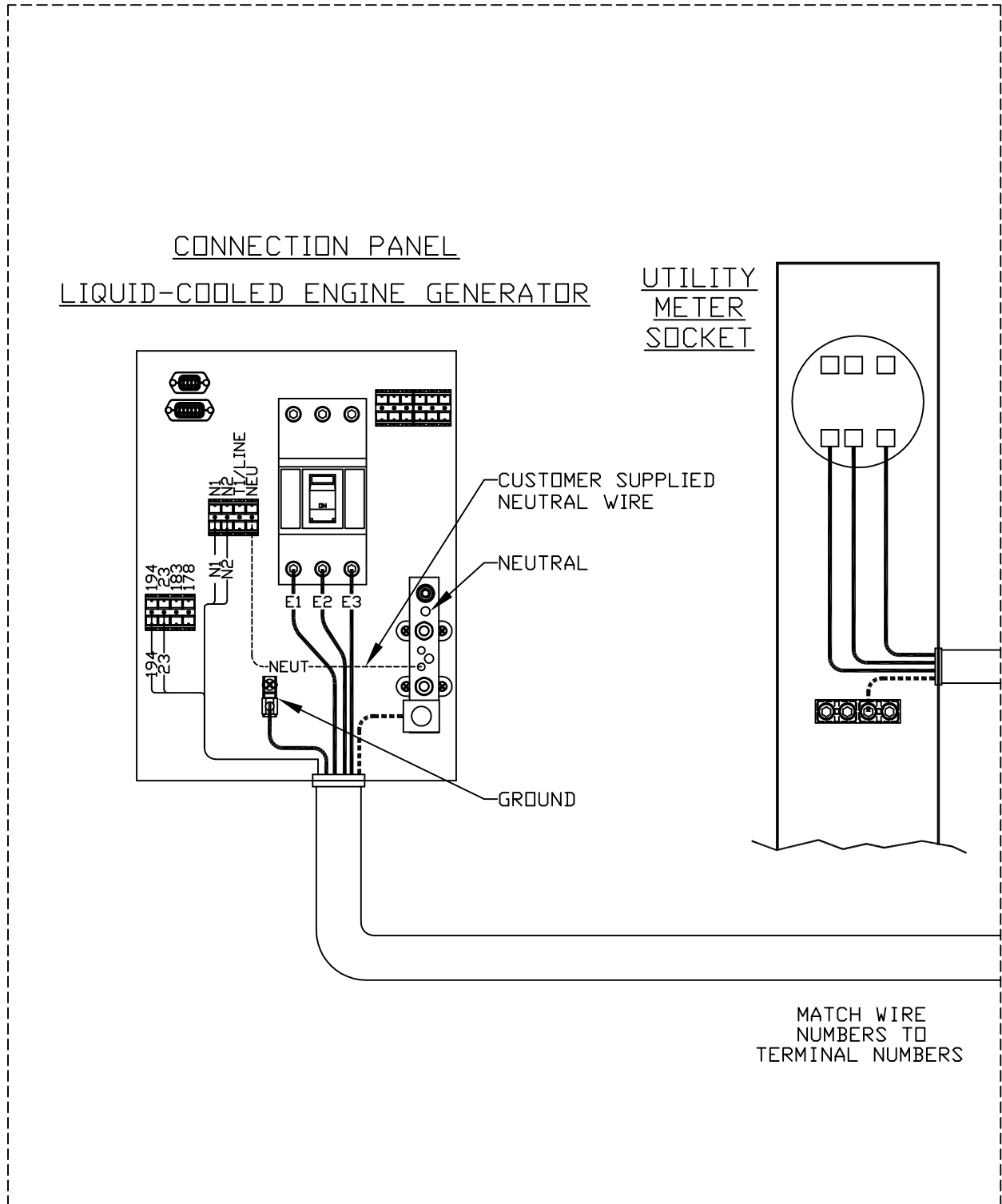
100-200A Three Phase (Drawing 0L2826)



# Interconnection Drawing

100-200A RTS Series Three Phase (Drawing 0L2828, Sheet 1 of 2)

GROUP G



REVISION: "A"  
DATE: 08/25/15

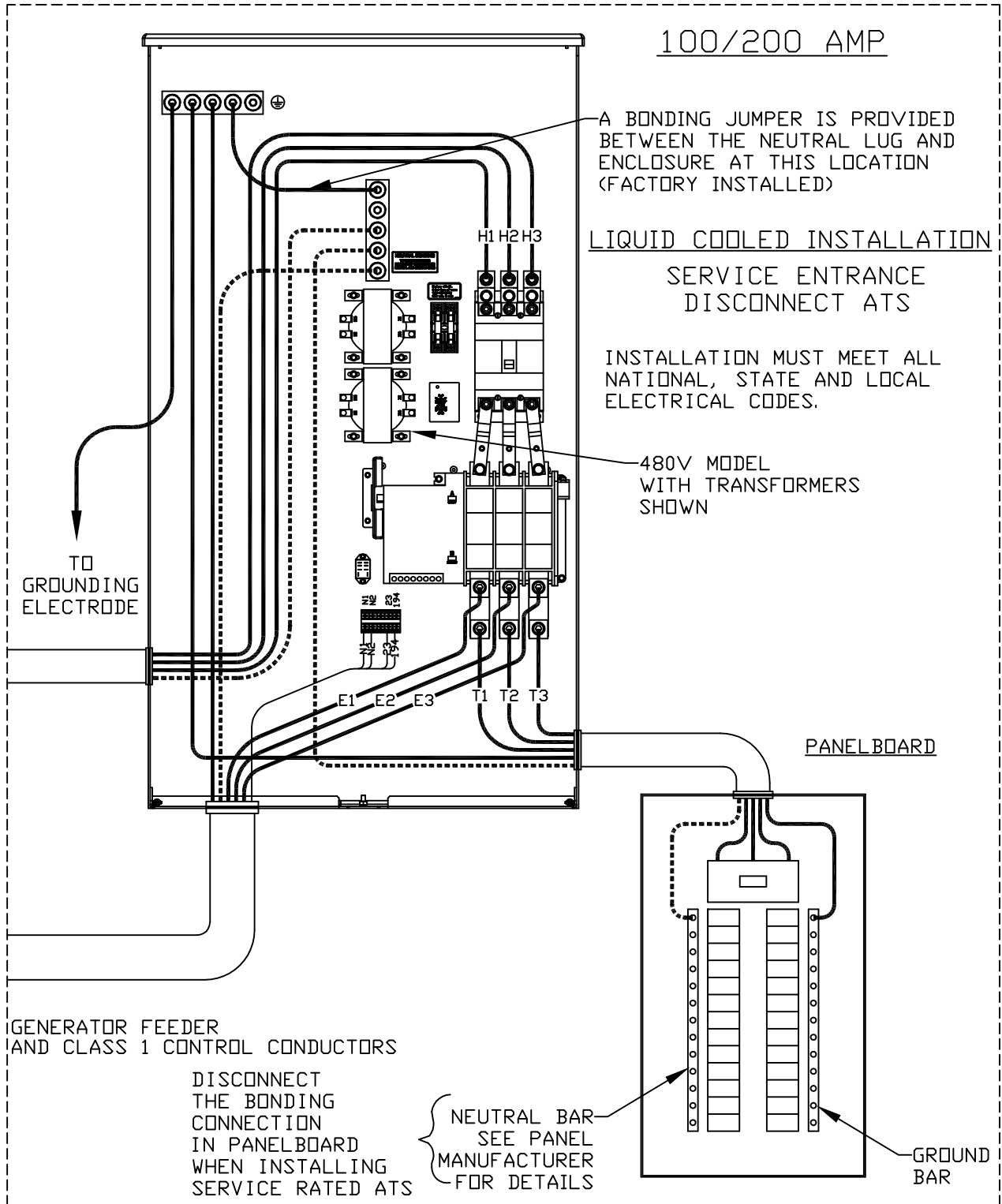
INTERCONNECTION DRAWING  
RTS SER 3 PHASE 100-200A  
DRAWING #: 0L2828

001256

**Interconnection Drawing**

**100-200A RTS Series Three Phase (Drawing 0L2828, Sheet 2 of 2)**

**GROUP G**



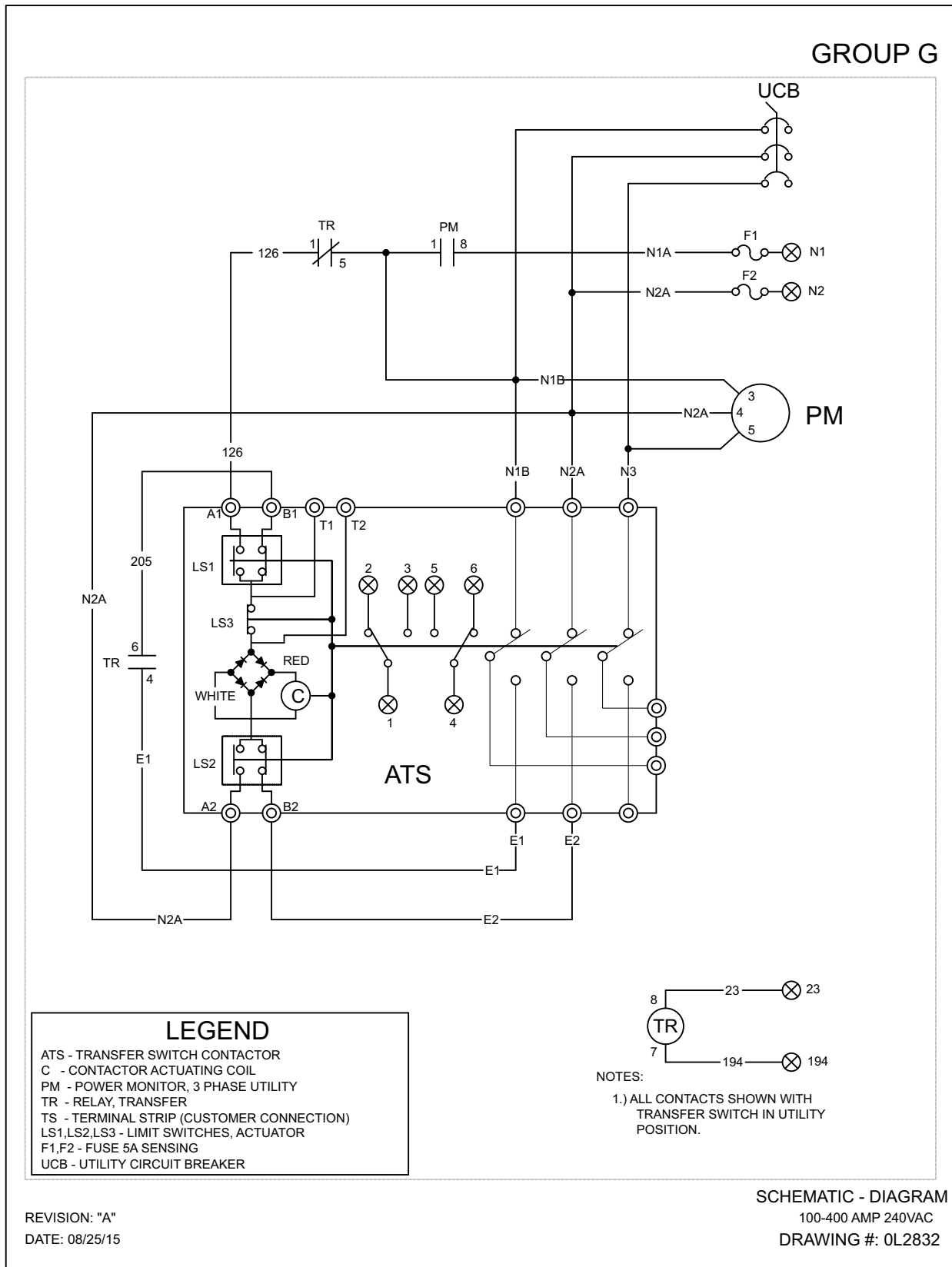
REVISION: "A"  
DATE: 08/25/15

RTS SER 3 PHASE 100-200A  
DRAWING #: 0L2828

001260

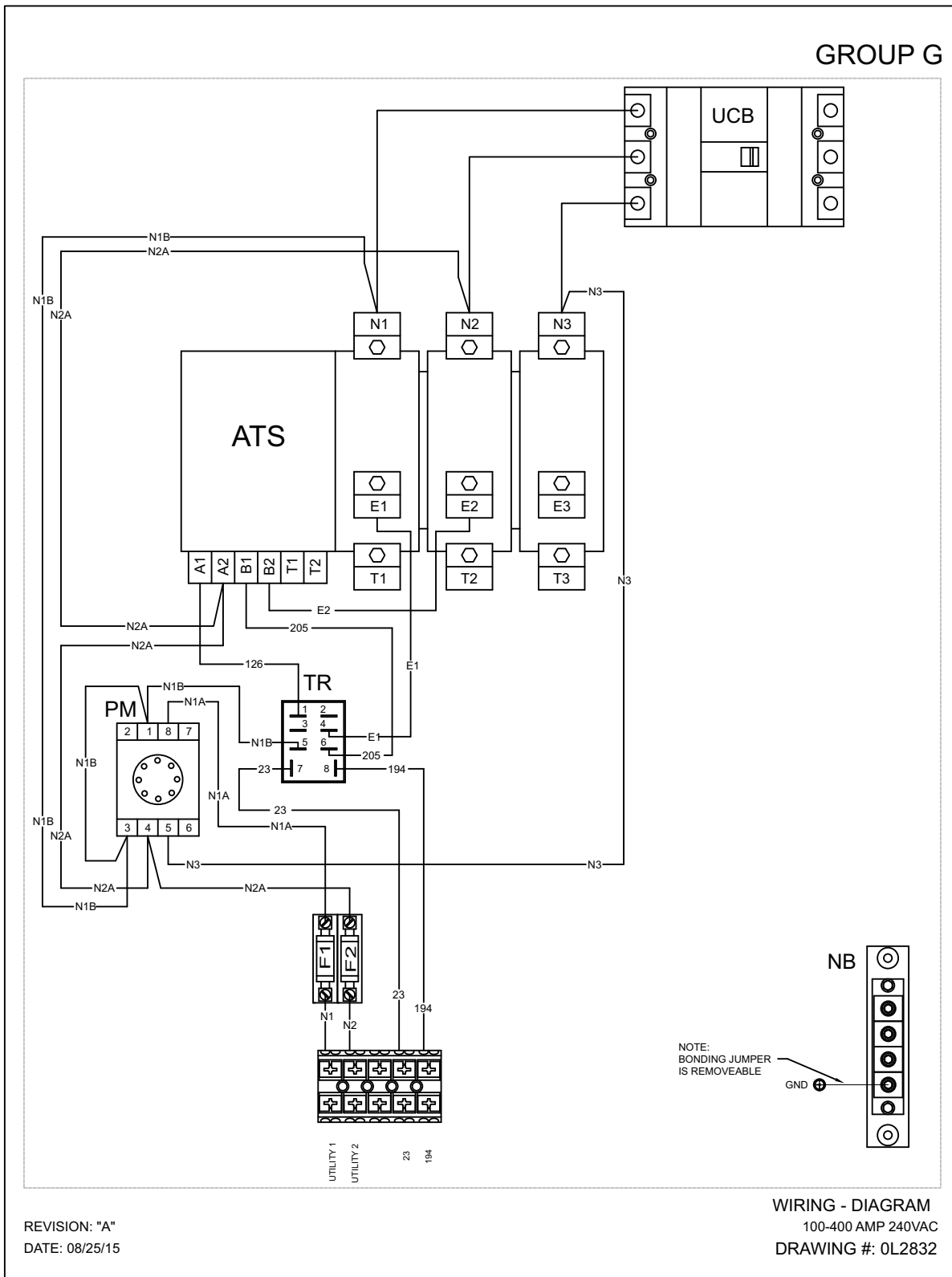
### Schematic Diagram

100-200A 240VAC (Drawing 0L2832, Sheet 1 of 2)



001257

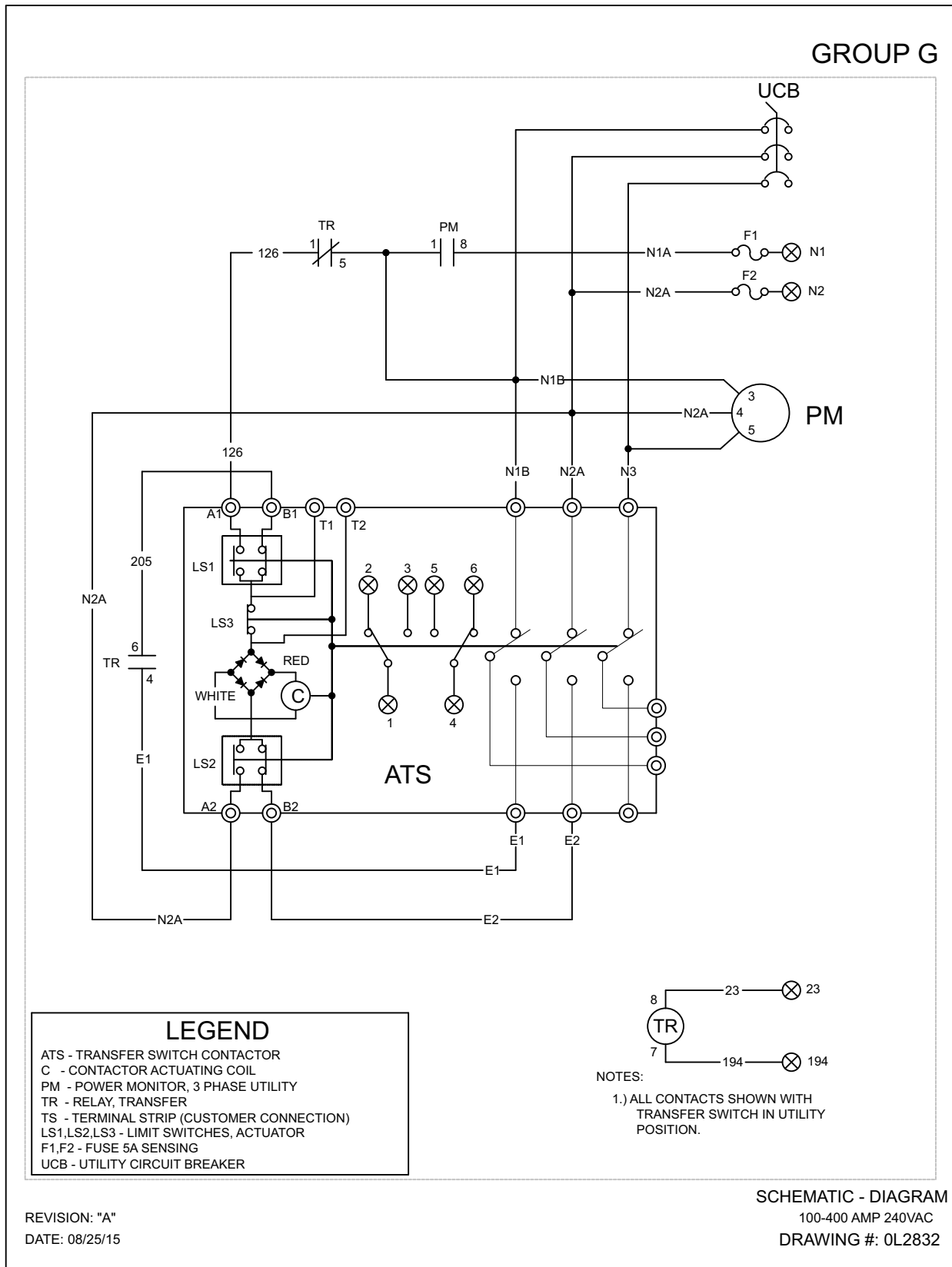
**Wiring Diagram**  
**100-200A 240VAC (Drawing 0L2832, Sheet 2 of 2)**



001263

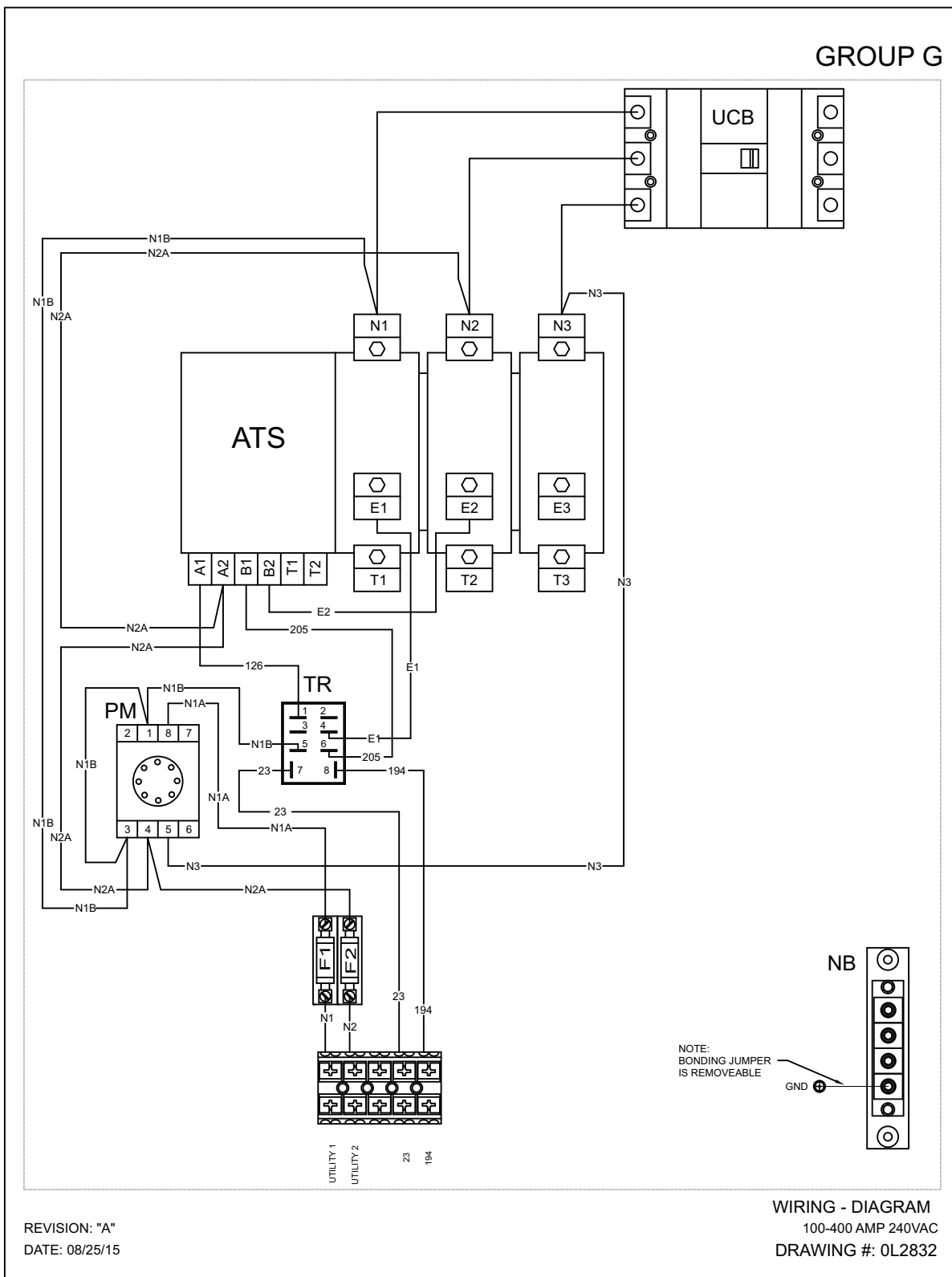
### Schematic Diagram

100-200A 240VAC (Drawing 0L2832, Sheet 1 of 2)



001257

**Wiring Diagram**  
**100-200A 240VAC (Drawing 0L2832, Sheet 2 of 2)**



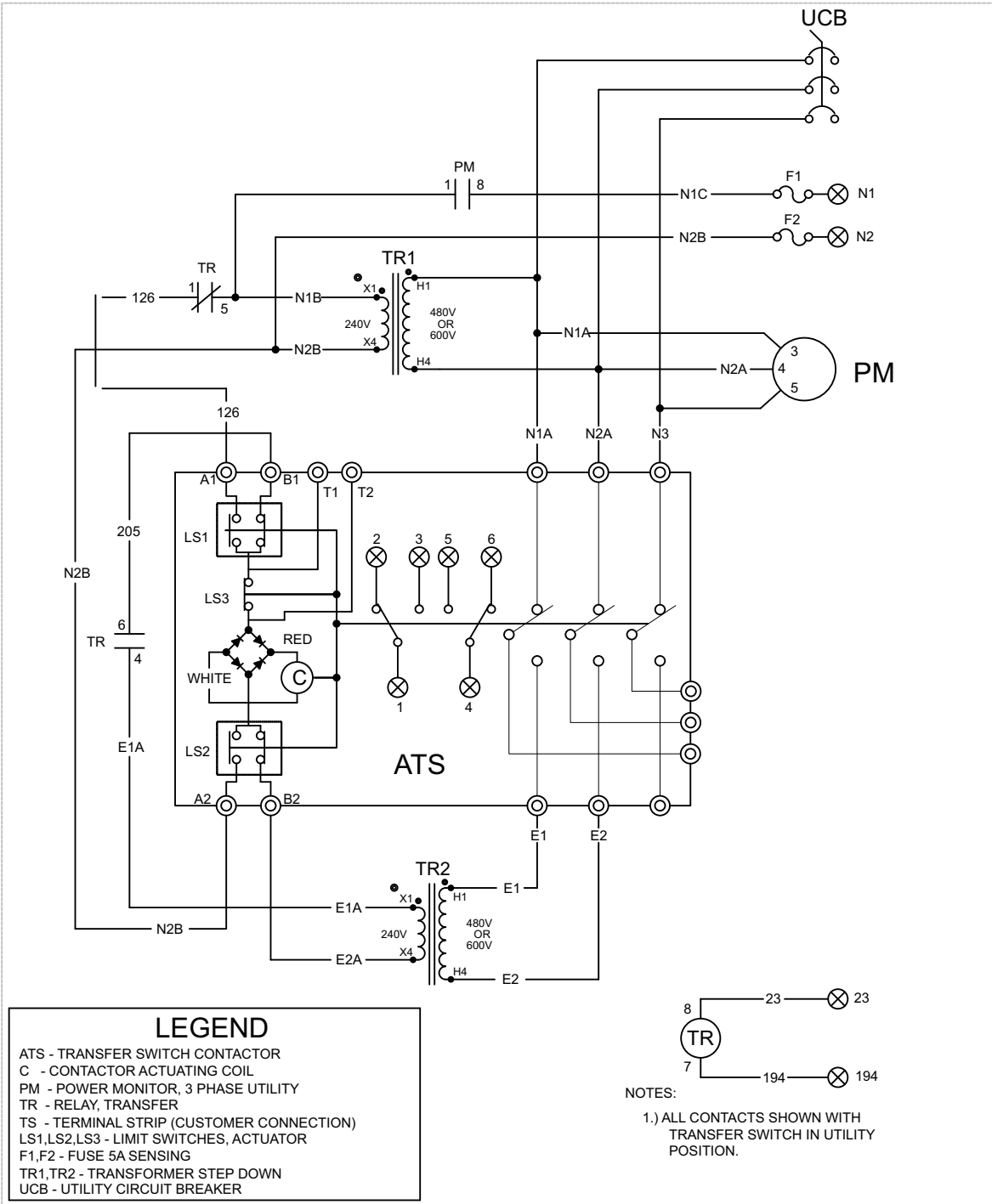
REVISION: "A"  
 DATE: 08/25/15

001263

**Schematic Diagram**

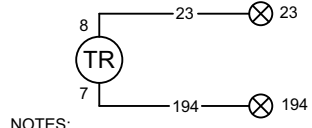
**100-200A 480VAC (Drawing 0L2833, Sheet 1 of 2)**

**GROUP G**



**LEGEND**

ATS - TRANSFER SWITCH CONTACTOR  
 C - CONTACTOR ACTUATING COIL  
 PM - POWER MONITOR, 3 PHASE UTILITY  
 TR - RELAY, TRANSFER  
 TS - TERMINAL STRIP (CUSTOMER CONNECTION)  
 LS1,LS2,LS3 - LIMIT SWITCHES, ACTUATOR  
 F1,F2 - FUSE 5A SENSING  
 TR1,TR2 - TRANSFORMER STEP DOWN  
 UCB - UTILITY CIRCUIT BREAKER

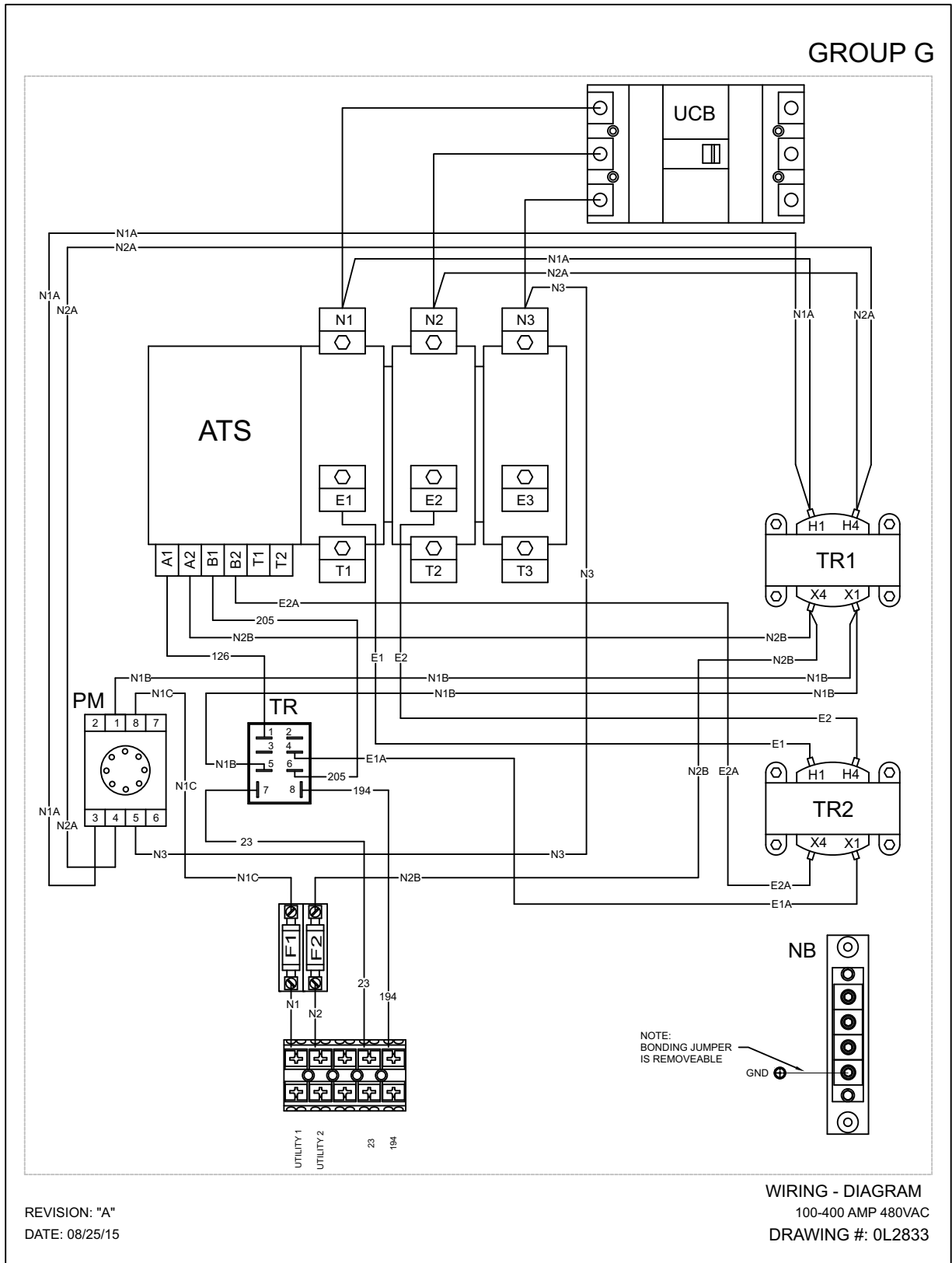


REVISION: "A"  
 DATE: 08/25/15

**SCHEMATIC - DIAGRAM**  
 100-400 AMP 480VAC  
 DRAWING #: 0L2833



**Schematic Diagram**  
**100-200A 480VAC (Drawing 0L2833, Sheet 2 of 2)**



001264

**This page intentionally left blank.**



Part No. 0L1517 Rev. A 01/21/16 Printed in USA  
©2016 Generac Power Systems, Inc. All rights reserved  
Specifications are subject to change without notice.  
No reproduction allowed in any form without prior written  
consent from Generac Power Systems, Inc.

**GENERAC**<sup>®</sup>



Generac Power Systems, Inc.  
S45 W29290 Hwy. 59  
Waukesha, WI 53189  
1-888-GENERAC (1-888-436-3722)  
[generac.com](http://generac.com)