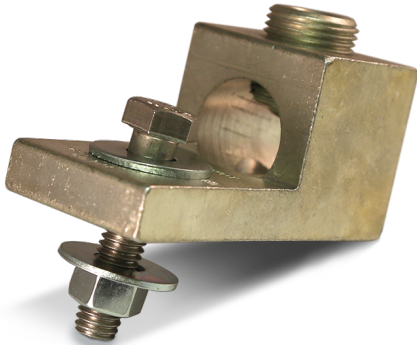


Save time piecing together your project with pre-packaged lug cable connector kit.  
Each kit is packaged to include 5 Mechanical lugs and hardware.



**5X**

**PER PACKAGE:**

Mechanical Lugs, Hex Bolts, Hex Nuts, Fender Washers, and Lock Washers

Part Number	Description
-------------	-------------

TBQC-LUGKT-001\*

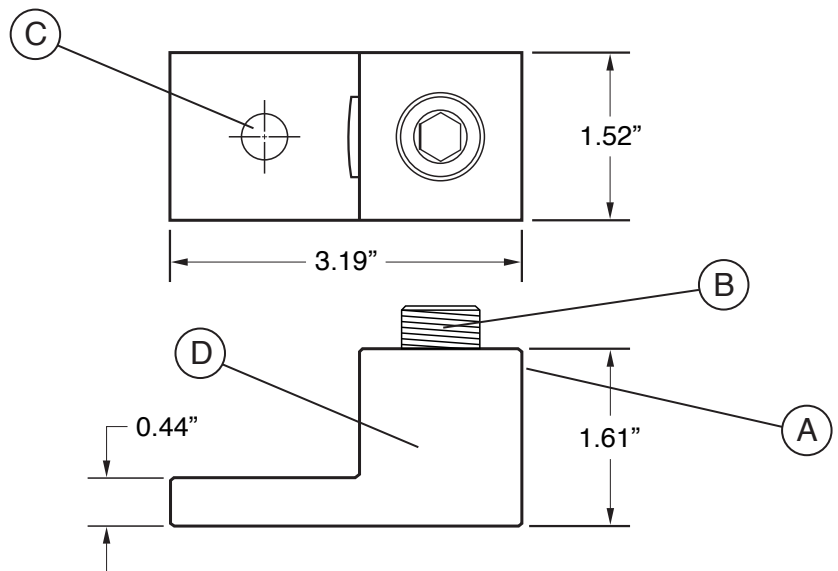
Mechanical Lug Kit 2 AWG – 600 Kcmil, 3/16" Stainless Steel Hardware, 5 lug assemblies per pkg.

\*This product is meant for Powertron® Tap Boxes that utilize a bus bar connection.

**Specifications**

A	Cable Entry Point: 2 AWG – 600 Kcmil
B	3/8 Stud, Torque: 500
C	Thru Hole: 0.44" dia
D	Material: Solid Aluminum, Tin Plated

**Shipping Weight: XXXlbs.**



POWERTRON® Tap Box Warranty and Terms and Conditions of Sale are available upon request or at [www.powertronsolutions.com](http://www.powertronsolutions.com)