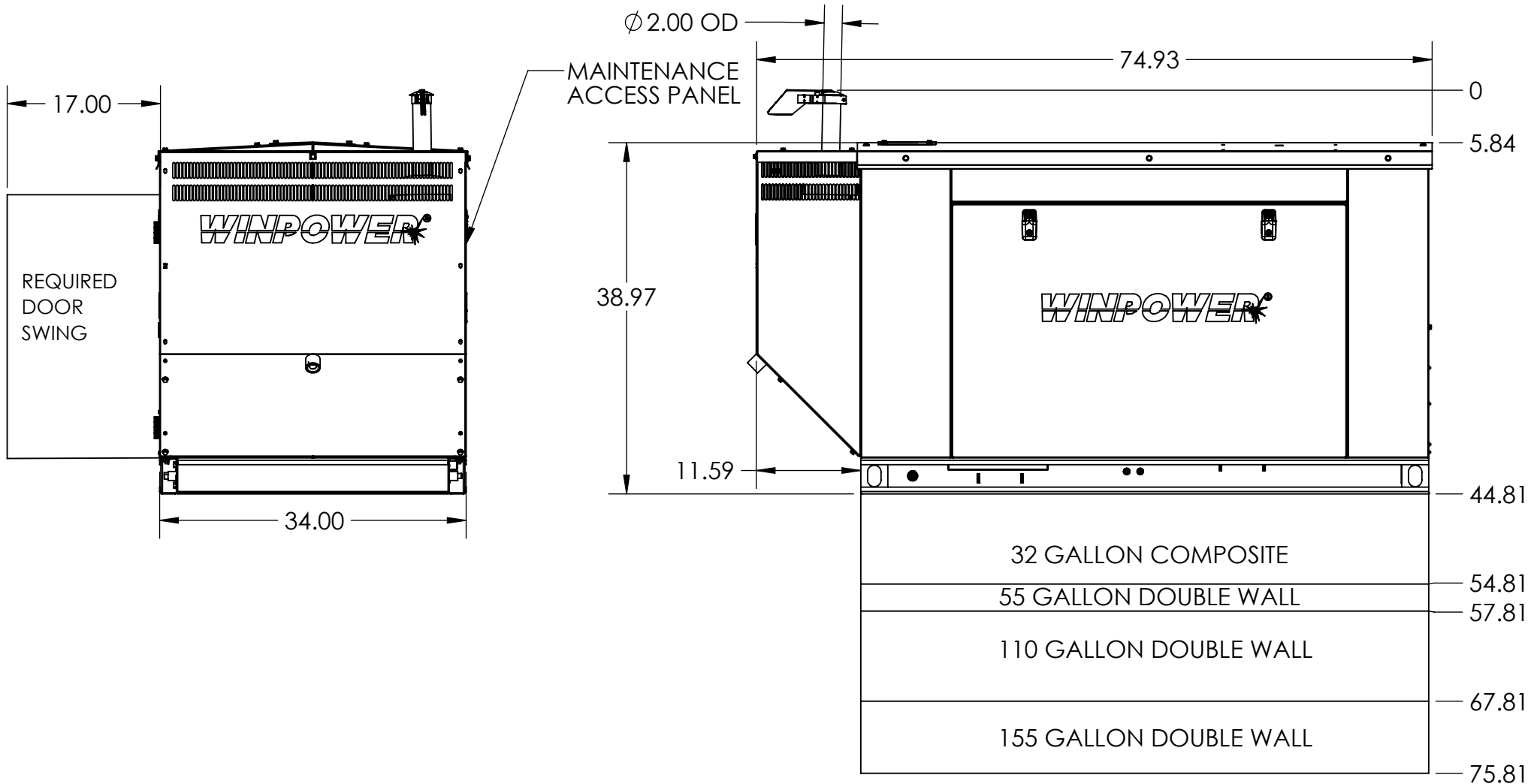




005-O

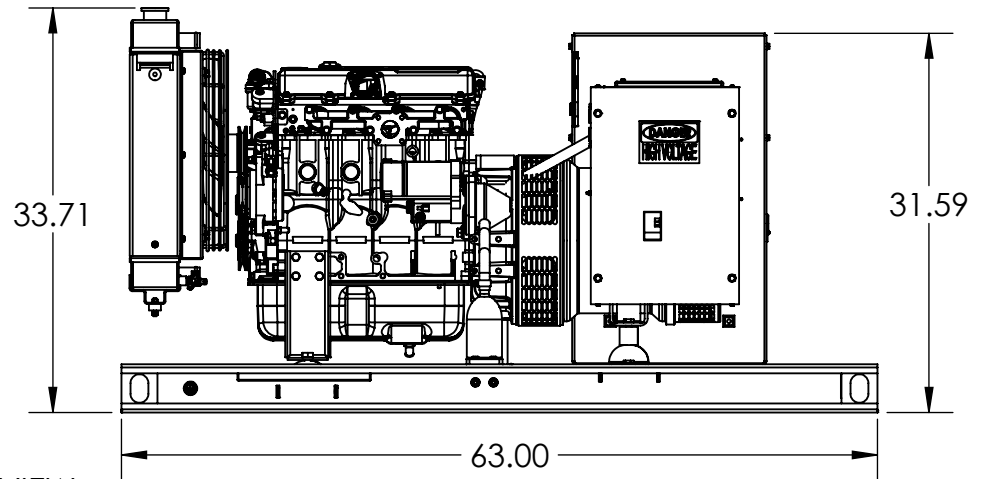
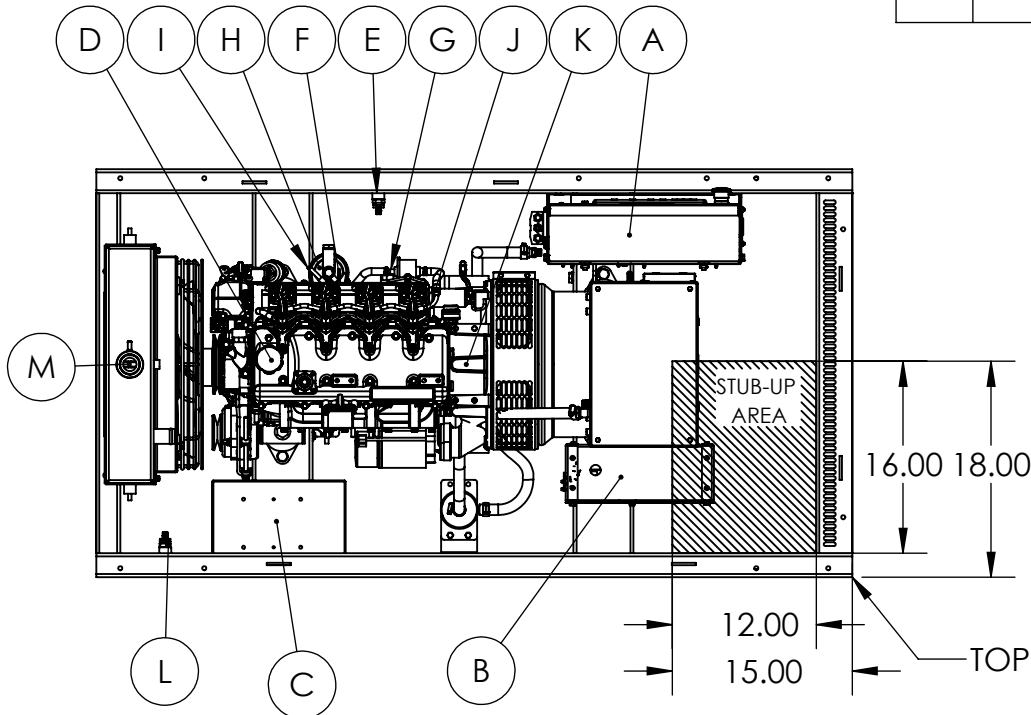
REVISIONS					
REV.	IRN	DESCRIPTION	DATE	BY	APP'D
A	C2783	ORIGINAL	5/27/2015	DRC	ZJF



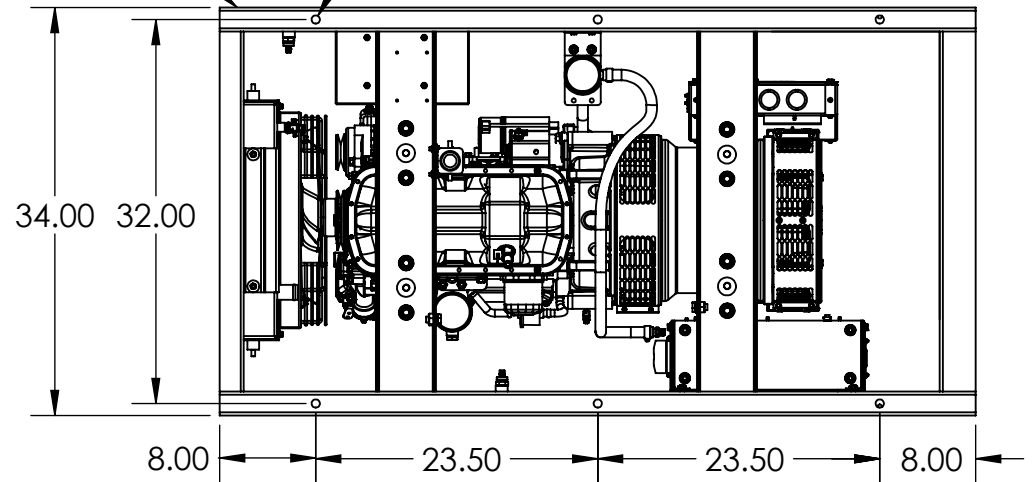
 THIS DRAWING CONTAINS PROPRIETARY INFORMATION BELONGING TO WINCO. UNAUTHORIZED USE IS PROHIBITED ALL DIMENSIONS INCH	DRAWN BY DRC	DATE 6/20/2014	CHK'D BY	DATE	ENG APPR. ZJF	DATE 11/5/2015
	TOLERANCE: +/- 0.0625 DECIMAL +/- 1 DEG ANGULAR	MODEL: DR20		TITLE: OUTLINE DRAWING - DR20		
			PART: O-500			

009-O

REVISIONS					
REV.	IRN	DESCRIPTION	DATE	BY	APP'D
A	C2783	ORIGINAL	5/27/2015	DRC	ZJF



Ø .69 x 6



Key Components	
A	ENGINE CONTROL
B	MAIN LINE CIRCUIT BREAKER
C	START BATTER
D	OIL FILL
E	OIL DRAIN
F	OIL DIPSTICK
G	OIL FILTER
H	FUEL FILTER
I	FUEL IN
J	FUEL RETURN
K	AIR FILTER
L	COOLANT DRAIN
M	COOLANT FILL

	DRAWN BY DRC	DATE 6/20/2014	CHK'D BY	DATE	ENG APPR. ZJF	DATE 11/5/2015
	TOLERANCE: +/- 0.0625 DECIMAL +/- 1 DEG ANGULAR		TITLE: OUTLINE DRAWING - DR20		PART: O-500	
MODEL: DR20				ALL DIMESNIONS INCH		