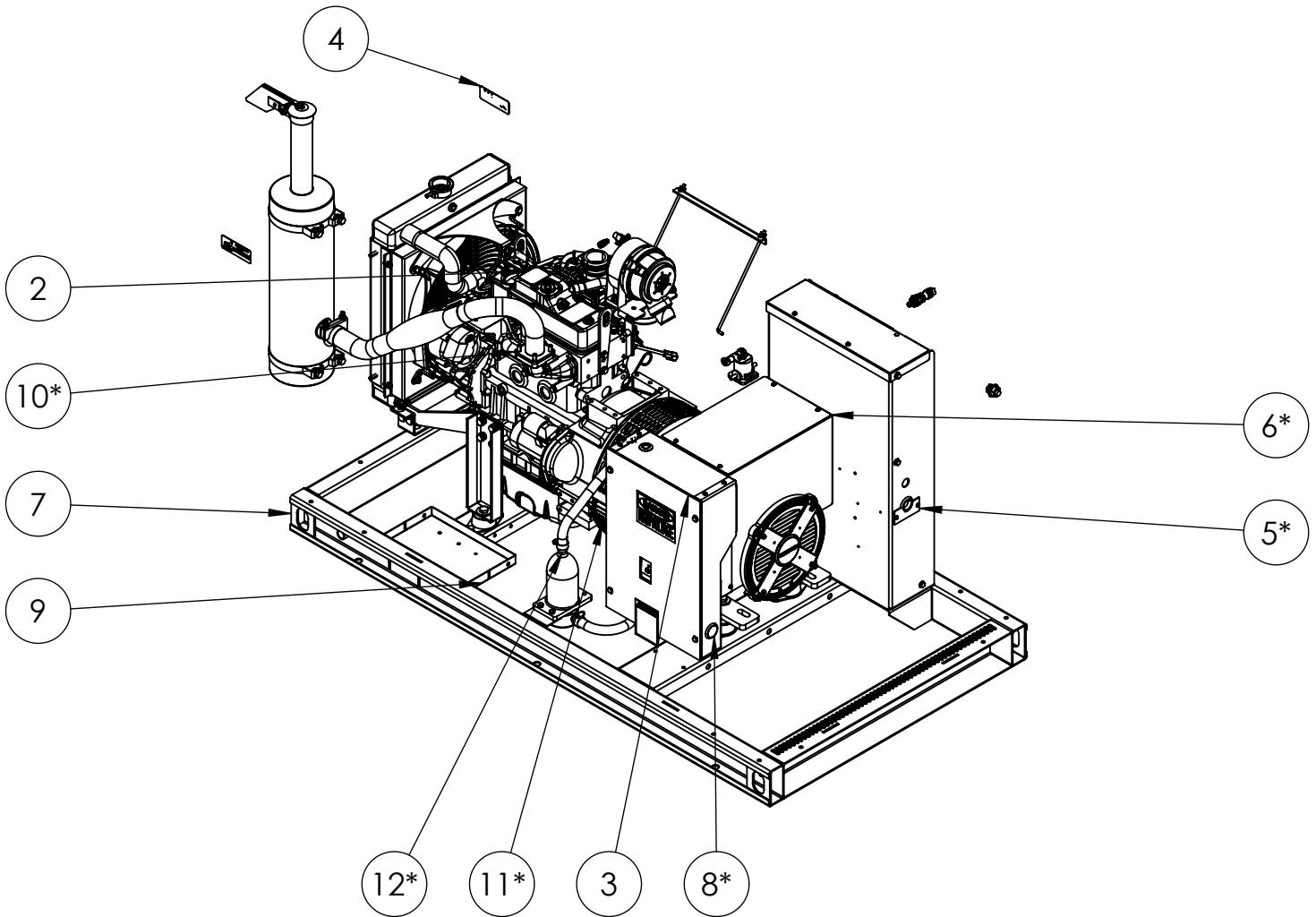


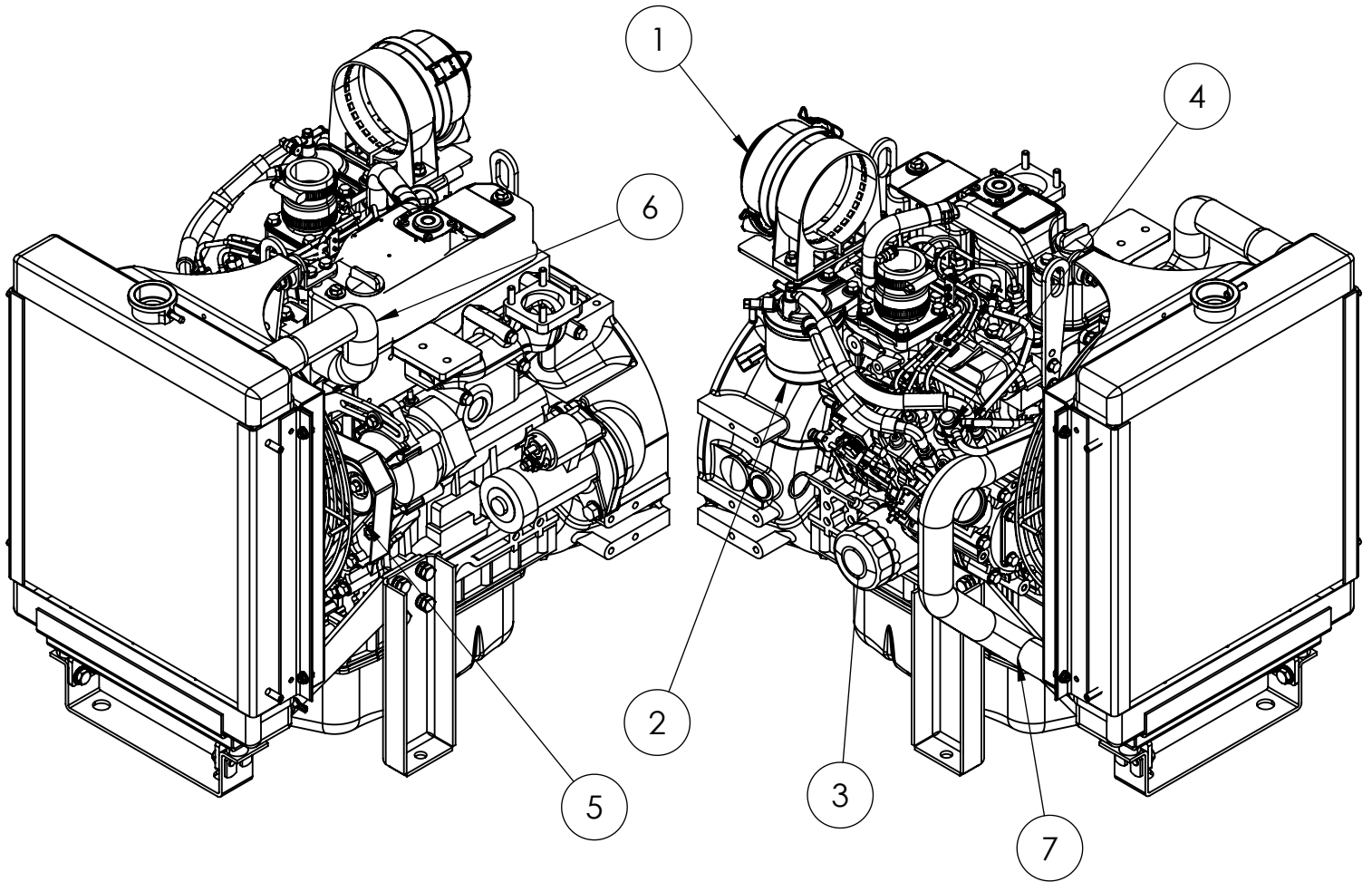
**WINCO Service**  
Phone: 507-357-6831  
Email: [service@wincogen.com](mailto:service@wincogen.com)  
[www.wincogen.com](http://www.wincogen.com)

# General Assembly



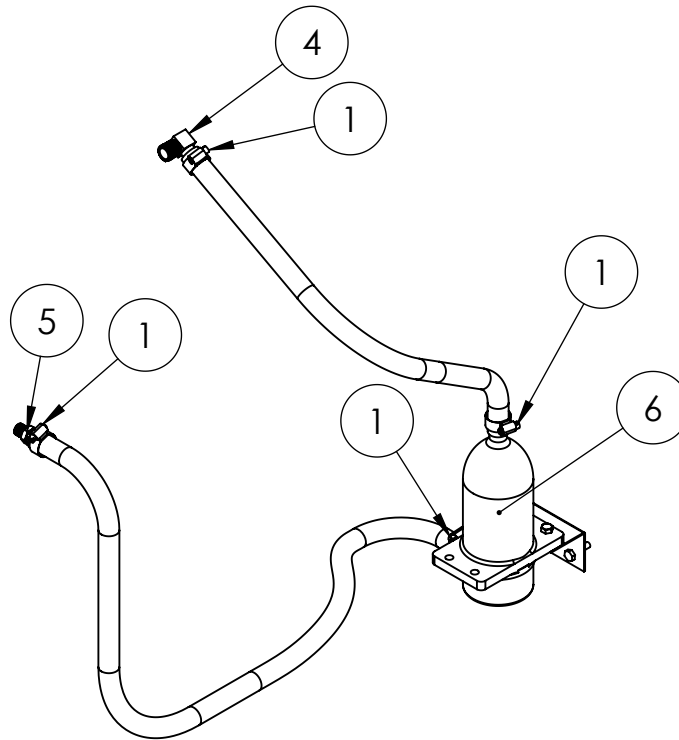
ITEM NO.	PART NUMBER	DESCRIPTION	EXPLODED VIEW/QTY.
1	100114-739	SKID	1
2	SEE TABLE	ENGINE, ISUZU, TIER IV, MODEL 3CE1UGZG1-420	1
3	350023-14	GEN END, SOL1-S1, SAE 5-7.5, WDG 706, 4 LEAD, UL1004 RATED, 13KW AT 125C, CLASS H, 4 POLE, 1800 RPM, STAMFORD, USED ON DR12	1
4	351559-10	DECAL INSTALL	1
5*	351903-30	CONTROL TOWER	1
6*	352308-110	TERMINAL BOX COVER ASSEMBLY	1
7	401012-020	WELDEMENT BASE ASSEMBLY	1
8*	SEE TABLE	CB BOX ASSEMBLY	1
9	405020-200	BATTERY TRAY ASSEMBLY	1
10*	SEE TABLE	EXHAUST SYSTEM DR12	1
11*	408012-200	MOUNT HARDWARE KIT DR12	1
12*	409012-100	BLOCK HEATER KIT DR12	1
13*	SEE TABLE	GEN MOD DR20 1P MKII	1
14	411012-300	ENGINE HARNESS DR12I4 MKII CONTROL	1

# Engine



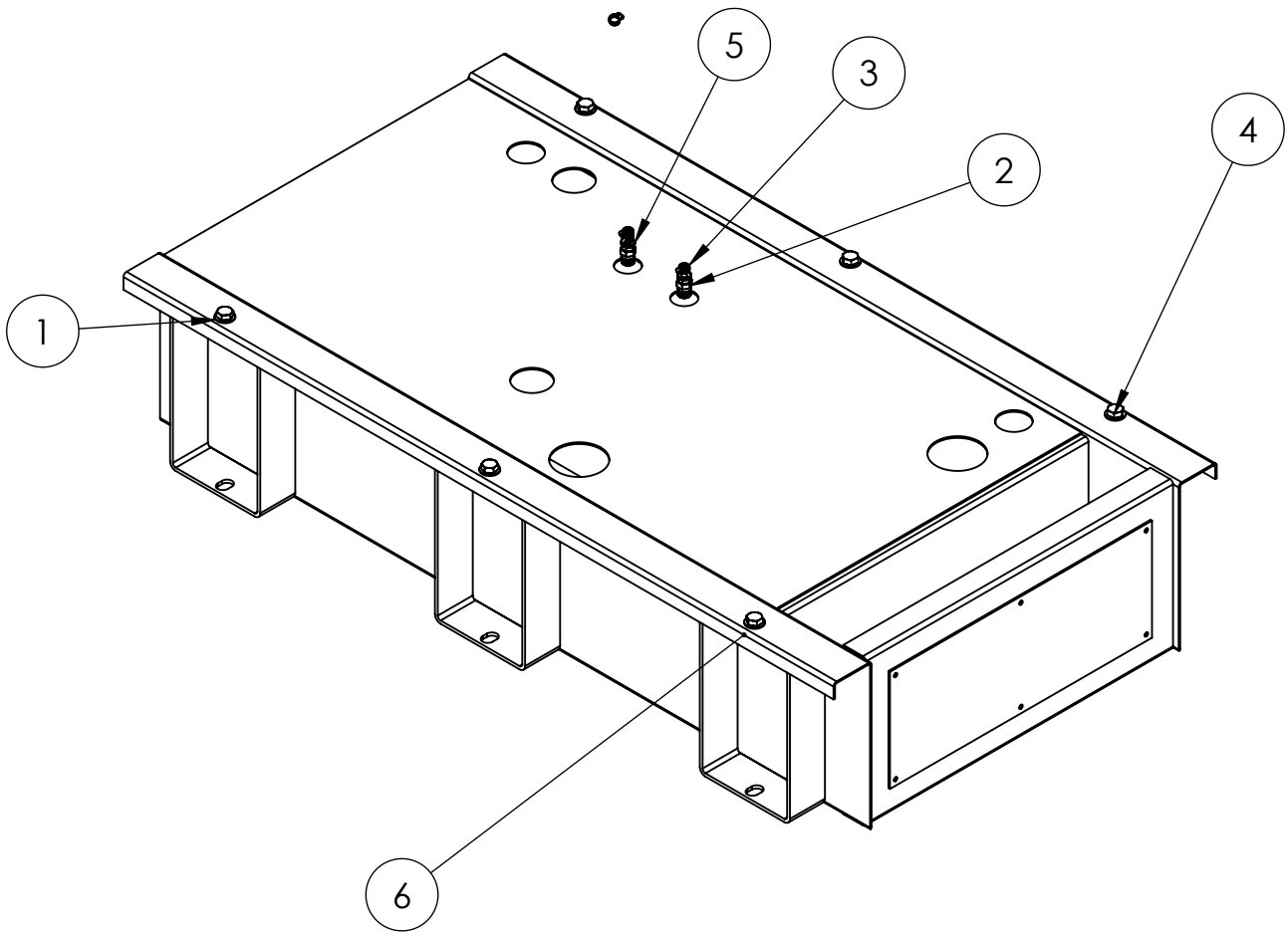
ITEM	PART	DESCRIPTION	QTY
1	7-106	AIR FILTER	1
2	7-101	FUEL FILTER - SPIN ON	1
3	7-100	OIL FILTER	1
4	7-102	METAL IN-LINE FUEL PUMP	1
5	7-116	FAN BELT	1
6	7-117	UPPER RADIATOR HOSE	1
7	7-118	LOWER RADIATOR HOSE	1
Contact Winco service for full engine parts support.			

# Block Heater



ITEM NO.	PartNo	DESCRIPTION	QTY.
1	81018-005	HOSE CLAMP 1.0625-.500	4
2	439-000	HHB .25-20 X 1	2
3	16248-000	1/4-20 FLANGE NUT	2
4	92382-000	HOSE FIT.ELBOW .375NPT X .625 HOSE	1
5	350341	HOSE FITTING 1/4 NPT (M) X 5/8 HOSE BARB	1
6	80781-003	PRE HEATER 1000W/120V TANK HEATER	1

# Fuel System

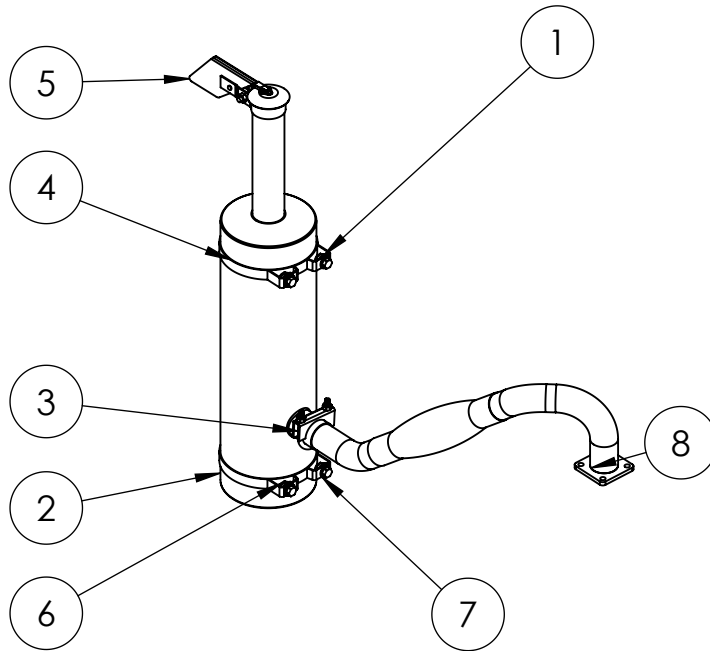


ITEM NO.	PART NUMBER	DESCRIPTION	EXPLODED VIEW/QTY.
1	516-000	FLAT WASHER 5/8 I.D. 1.31 O.D. STEEL ZINC	12
2	56372-001	HEX REDUCER BUSHING 1/2 -3/8 NPT BRASS	2
3	81018-009	HOSE CLAMP .625-.250	4
4	91083-001	HHCS 5/8-11 X 1.5 GR5	6
5	94319-010	HOSE FITTING 3/8-18NPT X .3125 HOSE BARB	2
6	95468-000	.625-11 NYLOCK	6

## FUEL TANK OPTIONS

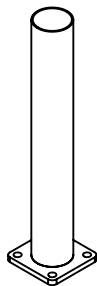
ITEM	PART	DESCRIPTION	QTY
1	350041-93	55 GAL, UL142 TANK	1
2	350041-108	110 GAL, UL142 TANK	1
3	350041-97	155 GAL, UL142 TANK	1

# HOUSED EXHAUST SYSTEM



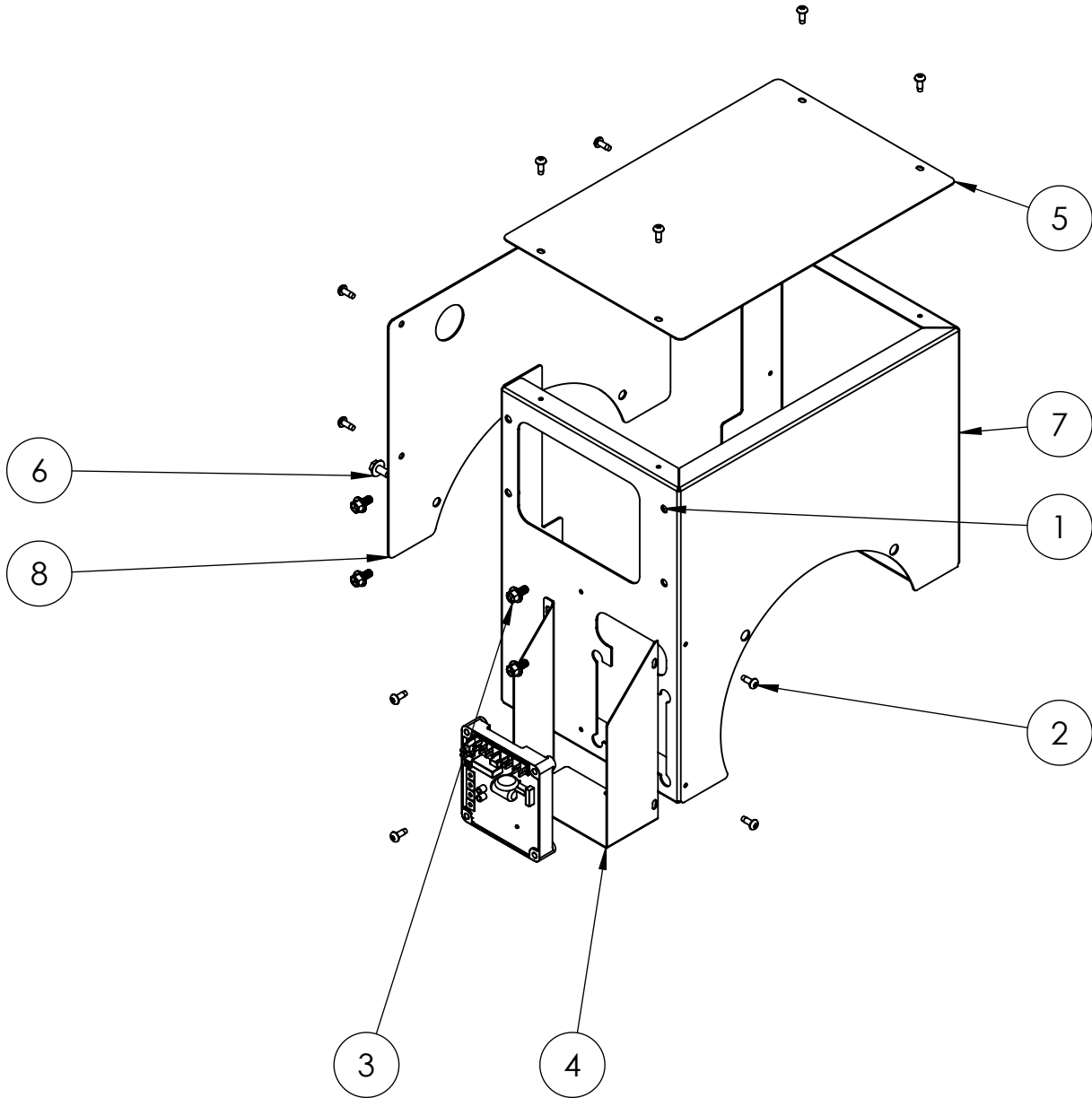
ITEM NO.	PART NUMBER	DESCRIPTION	EXPLODED VIEW/QTY.
1	16250-000	.375-16 FLANGE NUT	4
2	300335-17	MUFFLER CRITICAL GRADE	1
3	3042T86	MUFFLER CLAMP, 1-3/4"	1
4	350264-2	6IN MUFFLER BRACKET	2
5	53111-007	2" RAIN CAP	1
6	65002-000	.375-16X.75 HHB SS	4
7	65005-002	.375 FLATWASHER SS	4
8	807012-001	FLEX PIPE	1

# OPEN SKID EXHAUST SYSTEM



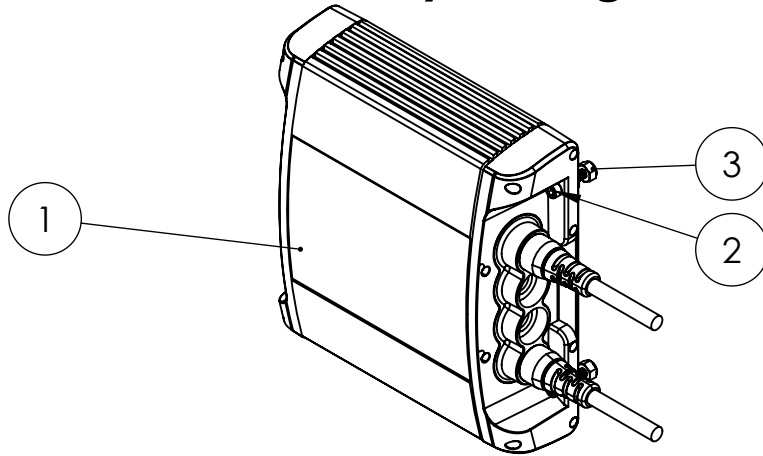
ITEM NO.	PART NUMBER	DESCRIPTION	EXPLODED VIEW/QTY.
1	807012-002	EXHAUST PIPE	1

# Gen End Adaptor

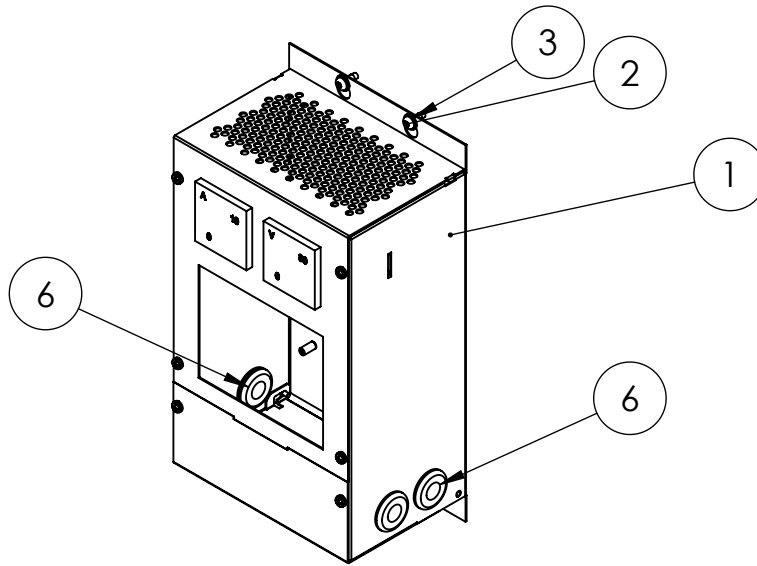


ITEM NO.	PART NUMBER	DESCRIPTION	EXPLODED VIEW/QTY.
1	16248-000	.25-20 FLANGE NUT	4
2	21698-001	TORX PAN HEAD SCREW #10	13
3	352120-1	1/4-20 X .500 FHCS	4
4	352308-102	AVR BOX	1
5	352308-112	TERMINAL BOX COVER	1
6	55440-000	.25-20X.5 SELF TAP	2
7	61110-004	TERMINAL BOX	1
8	61111-003	TERMINAL BOX FRONT	1

# Battery Chargers



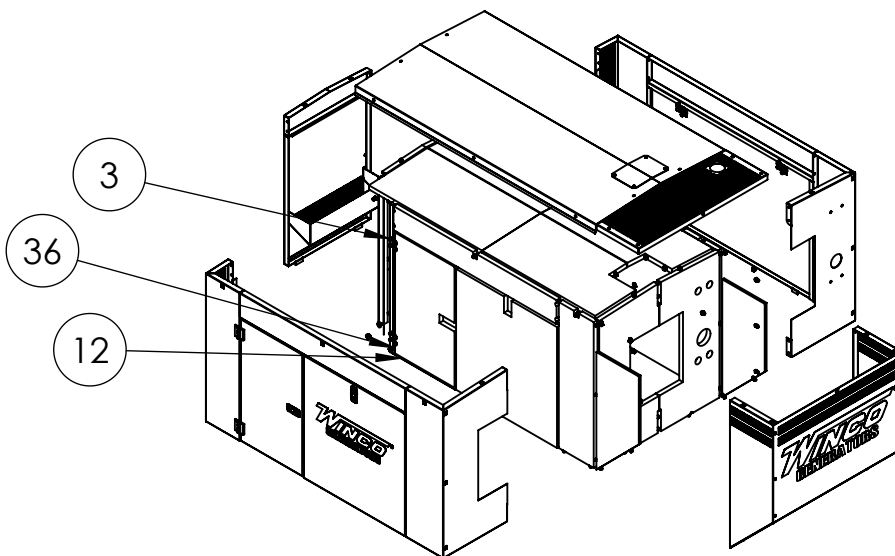
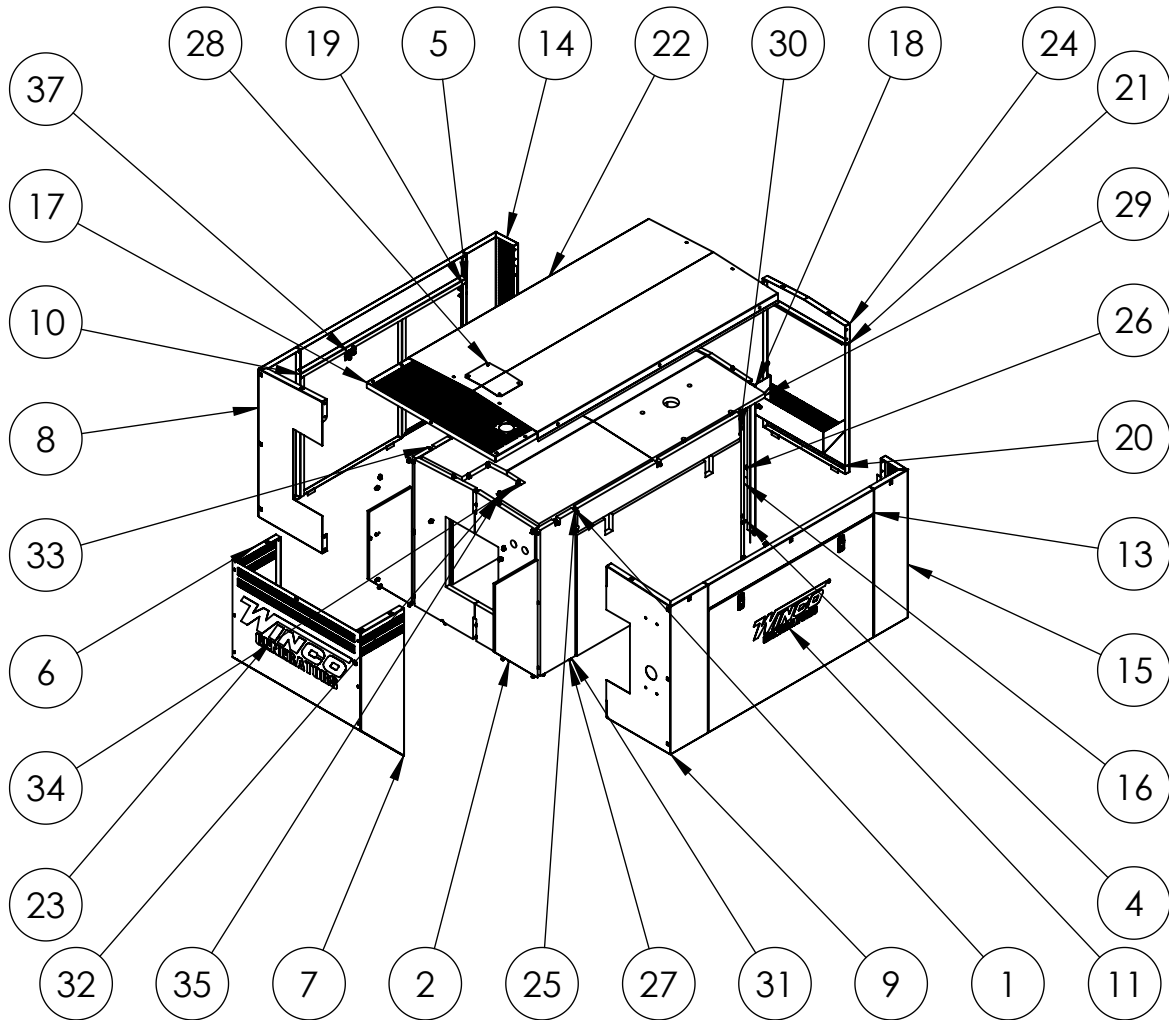
ITEM NO.	PartNo	DESCRIPTION	QTY.
1	72036-023	BATTERY CHARGER, 120VAC/12VDC, 5.0 AMP, GUEST MODEL 2708A	1
2	64872-001	SOC.HCS 10-24 X 1 BLK	4
3	5315-000	NUT HEX 10-24 NYLON	4



ITEM NO.	PartNo	DESCRIPTION	QTY.
1	72036-020	BATTERY CHARGER, 12VDC, 10AMP, DSE MODEL DSE9461-02 LCD AND METERS NFPA 110	1
2	21698-001	TORX PAN HEAD SCREW #10	4
3	598-000	#10 WASHER	4
4	22034-000	TERMINAL RING 16-14AWG .3125 STUD	2
5	96922-001	PWR.SUP.CORD, 16/3, 8 FEET W/5- 15P PLUG	1
6	40730-000	GROMMET .5ID X .8125	3
7	2489-004	IN-LINE FUSE HOLDER	1
8	95064-006	FUSE AGC 10 AMP	1



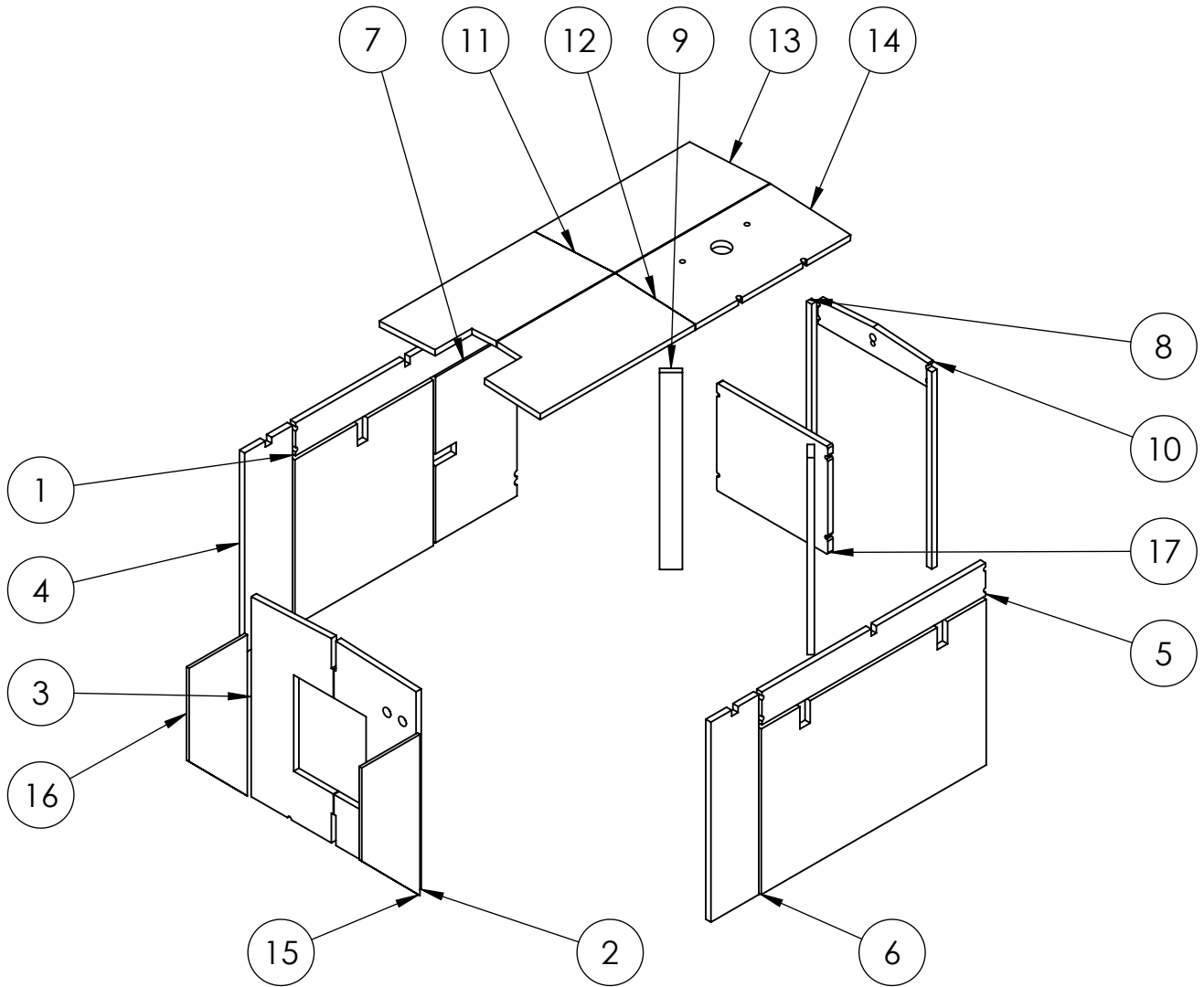
# Housing



# Housing Continued

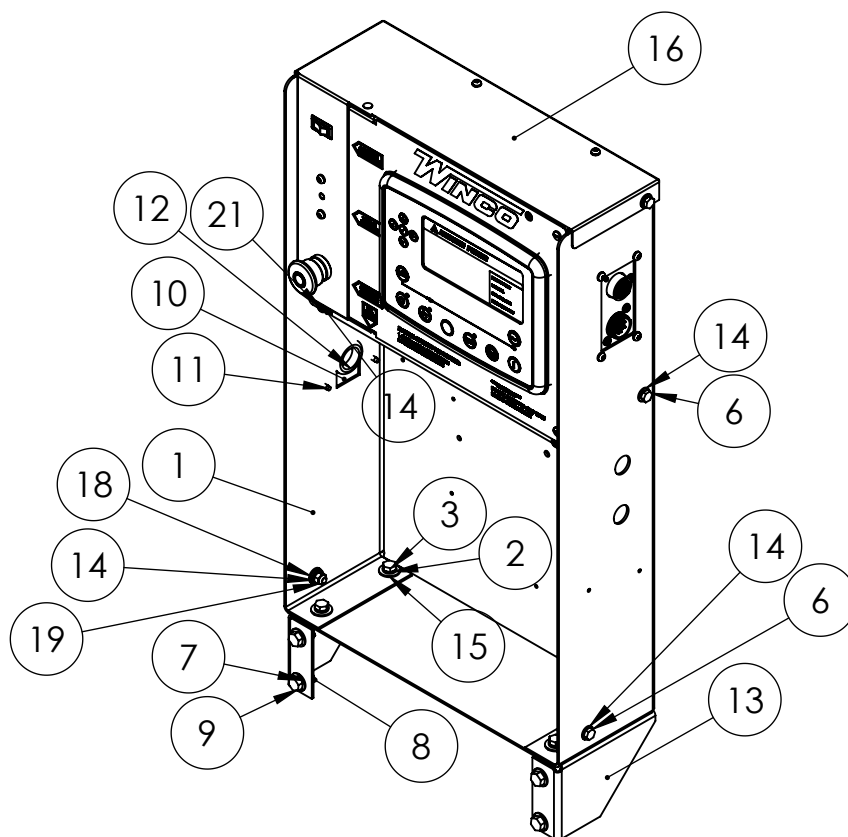
ITEM NO.	PART NUMBER	DESCRIPTION	EXPLODED VIEW/QTY.
1	16248-000	.25-20 FLANGE NUT	22
2	16249-000	.3125-18 FLANGE	14
3	16446-000	M8-1.25 NYLOCK	8
4	21698-001	10-16X.372 TORX SCREW BLACK	10
5	350054-5	HINGE BLACK	2
6	352308-002	FRONT RIGHT SNORKEL	1
7	352308-003	FRONT LEFT SNORKEL	1
8	352308-004	FRONT RIGHT CORNER	1
9	352308-005	FRONT LEFT CORNER	1
10	352308-006	RIGHT SIDE PANEL	1
11	352308-007	LEFT SIDE PANEL	1
12	352308-009	DOOR STOP	1
13	352308-010	SIDE SILL	2
14	352308-011	RIGHT REAR CORNER	1
15	352308-012	LEFT REAR CORNER	1
16	352308-015	REAR BAFFLE	3
17	352308-016	SNORKEL TOP	1
18	352308-017	REAR LEFT BAFFLE	1
19	352308-018	DOOR	1
20	352308-019	REAR BOTTOM BAFFLE	1
21	352308-062	REAR PANEL WITH BAFFLE	1
22	352308-063	ROOF	1
23	352308-064	SNORKEL FRONT	1
24	352308-065	REAR TOP	1
25	463-000	HEX BOLT .25-20X.50	16
26	466-001	.25-20X 1.75 HHB	4
27	467-000	HHCS 5/16-18X3/4 GR5	12
28	489020-002	RADIATOR FILL CAP DR20	1
29	492012-500	FOAM KIT DR12	1
30	512-000	.25 WASHER	16
31	526-000	5/16 FLAT WASHER	12
32	65000-001	.25-20X.75 SS HHCS	35
33	65003-000	SS LOCK WASHER ID.25 OD.475 TH.07	39
34	65005-000	.25 WASHER SS	39
35	92495-000	.25-20 TINNERMAN	37
36	94980-001	THREAD STUD .25-20X.625	6
37	95229-004	LATCH	4

# Foam Kit



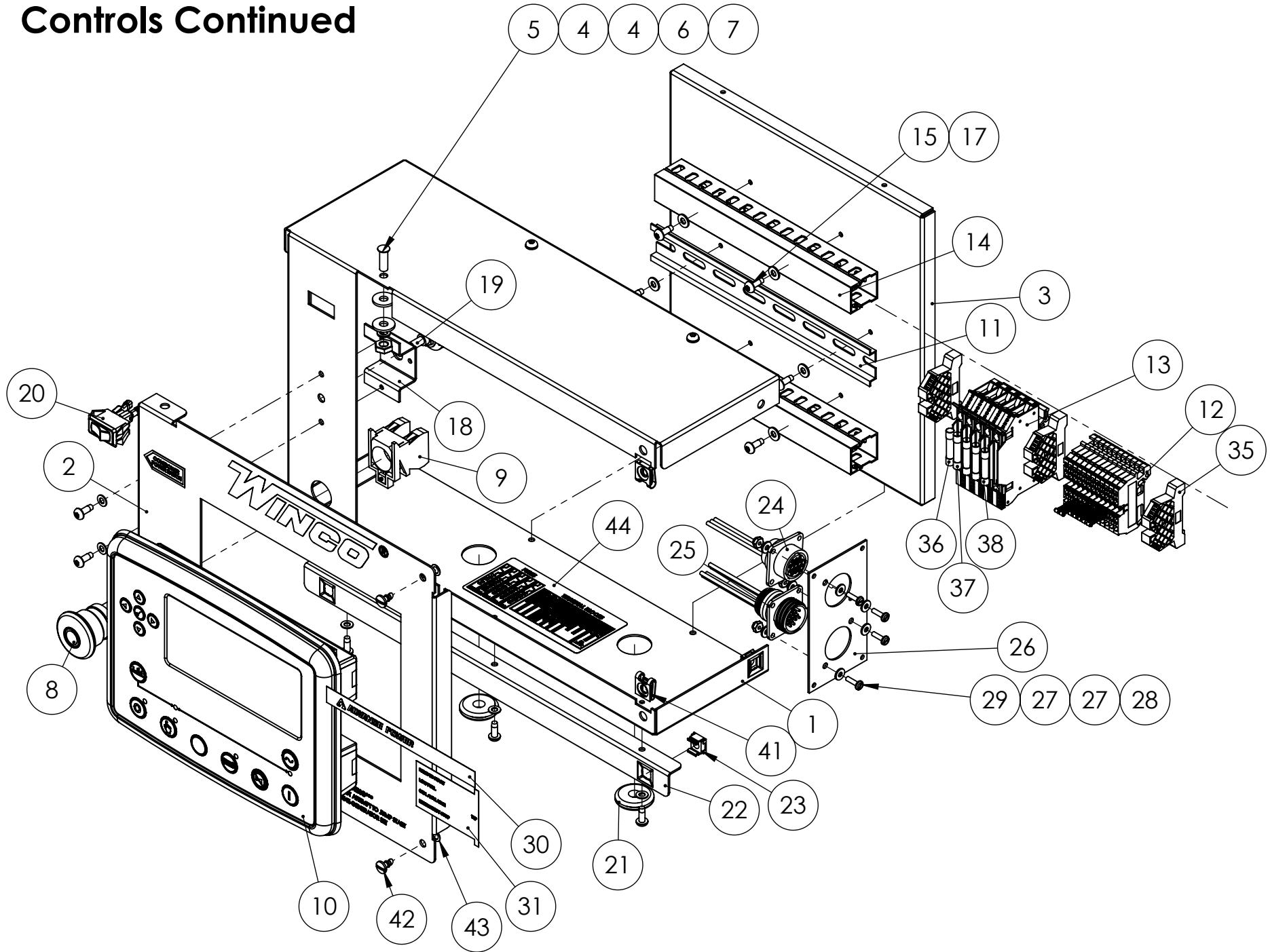
ITEM NO.	PART NUMBER	DESCRIPTION	EXPLODED VIEW/QTY.
1	352303-102	RIGHT SIDE PANEL FOAM	1
2	352303-40	LEFT FRONT CORNER FOAM	1
3	352303-41	RIGHT FRONT CORNER FOAM	1
4	352303-42	FRONT SIDE FOAM	2
5	352303-43	SIDE SILL FOAM	2
6	352303-44	LEFT PANEL FOAM	1
7	352303-46	DOOR FOAM	1
8	352303-47	BAFFLE FOAM SMALL	2
9	352303-48	BAFFLE FOAM LARGE	2
10	352303-49	REAR TOP FOAM	1
11	352303-51	RIGHT FRONT ROOF FOAM	1
12	352303-52	LEFT FRONT ROOF FOAM	1
13	352303-53	RIGHT REAR ROOF FOAM	1
14	352303-54	LEFT REAR ROOF FOAM	1
15	352303-55	SNORKEL LEFT FOAM	1
16	352303-56	SNORKEL RIGHT FOAM	1
17	352303-61	REAR PANEL FOAM	1

# Controls



ITEM NO.	PartNo	DESCRIPTION	QTY.
1	352290-3	CONTROL PEDISTAL MKII	1
2	65003-001	LOCKWASHER 5/16 SPLIT SS	4
3	465-000	.3125-18X.875 HHB	4
4	16249-000	.3125-18 FLANGE	4
5	479-000	LOCK WASHER, .25" SPLIT	6
6	466-000	.25-20X.75 HHB	6
7	65005-002	.375 FLATWASHER SS	4
8	16250-000	.375-16 FLANGE NUT	4
9	65002-000	.375-16X.75 HHB SS	4
10	352306-42	BATTERY PLUG COVER	1
11	21698-001	TORX PAN HEAD SCREW #10	6
12	62486-000	GROMMET 1 X 1.375	1
13	352290-2	PEDISTAL MOUNT	1
14	512-000	.25 WASHER	10
15	526-000	5/16 FLAT WASHER	4
16	351891-45	DSE 7310 ENGINE CONTROL UNIT	1
17	352291-1	PEDESTAL COVER	1
18	96286-001	1/4" NYLON WASHER	2
19	47517-000	.25-20 NYLOCK	2
20	92495-002	1/4-20 TINNERMAN (12 GA)	2
21	21253-000	RHMS 1/4-20X .75	2
22	96286-002	FLAT WASHER NYLON	4

# Controls Continued

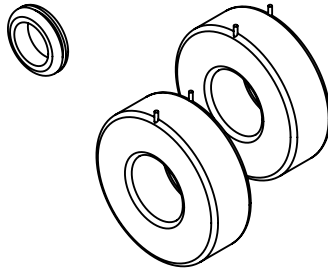


## Controls Continued

ITEM NO.	PartNo	DESCRIPTION	QTY.
1	351900-39	CONTROL BOX MAIN BASE DR	1
2	351900-40	DSE 7310 MKII CONTROL PANEL WITH SILK SCREEN FOR DR	1
3	351900-34	CONTROL BOX DIN RAIL MOUNTING PLATE	1
4	96286-001	1/4" NYLON WASHER	4
5	94980-003	THREAD STUD .25-20 X .750	2
6	479-000	LOCK WASHER, .25" SPLIT	2
7	638-000	HEX NUT, .25IN	2
8	99783-001	SWITCH, PUSH-PULL	1
9	99783-002	SWITCH CONTACT	1
10	351112-29	DEEP SEA ELECTRONICS 7310 MKII	1
11	64551-005	DIN RAIL 9.5"	1
12	80623-009	TERMINAL BLOCK, DIN MOUNTED, SPRING CAGE	12
13	2489-003	FUSE HOLDER, DIN MOUNTED	5
14	352017-001	WIRE DUCT, 8.5IN	2
15	21698-001	TORX PAN HEAD SCREW #10	15
16	96286-002	FLAT WASHER NYLON	9
17	598-000	#10 WASHER	6
18	351900-36	RHEOSTAT MOUNTING BRACKET	1
19	97517-001	REOSTAT	1
20	64089-000	SPST, ROCKER SWITCH	1
21	23917-002	GROMMET, .375ID X 1	2
22	351900-35	COVER SUPPORT BRACKET	1
23	92495-000	.25-20 TINNERMAN	4
24	96925-002	14 PIN CONNECTOR	1
25	96925-006	16 PIN CONNECTOR	1
26	351900-37	PLUG MOUNTING PLATE	1
27	425-000	#6 FLATWASHER	8
28	51802-000	NUT HEX #6-32 NYLOCK	4
29	24988-000	SCREW 6-32 X 1/2 BIND	4
30	16600-005	DSE MKII ADVANCE POWER LOGO INSERT	1
31	16601-006	DSE 7310 MKII LIGHT LEGEND CARD INSERT	1
32	48602-003	TERMINAL FEMALE 16-14 AWG .250 TAB	2
33	96924-001	TERMINAL, PIN, 18-16AWG	11
34	96923-001	TERMINAL, SOCKET, 18-16AWG	10
35	80623-010	END BLOCK, DIN MOUNTED	3
36	95064-006	FUSE AGC 10 AMP	1
37	95064-000	FUSE AGC 3 AMP	1
38	95064-008	FUSE AGC 2 AMP	3
39	96924-101	PLUG TERMINAL	5
40	96923-101	PLUG TERMINAL	4
41	91683-000	1/4 TURN CLIP NUT	2
42	91682-001	STUD 1/4 TURN SLOTTED	2
43	91684-000	RETAINER RING 1/4 TURN SPLIT RING	2
44	351095-16	DECAL, FUSES AND TERMINAL BLOCKS	1
45	80623-011	2-POLE TERMINAL BLOCK JUMPER	2
46	80623-012	3-POLE TERMINAL BLOCK JUMPER	1

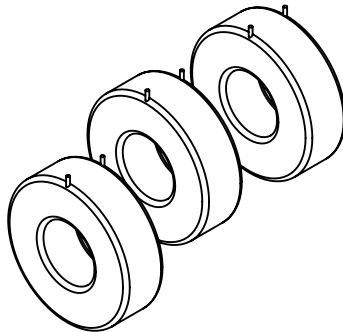
# CT Kits

## \*SINGLE PHASE KIT



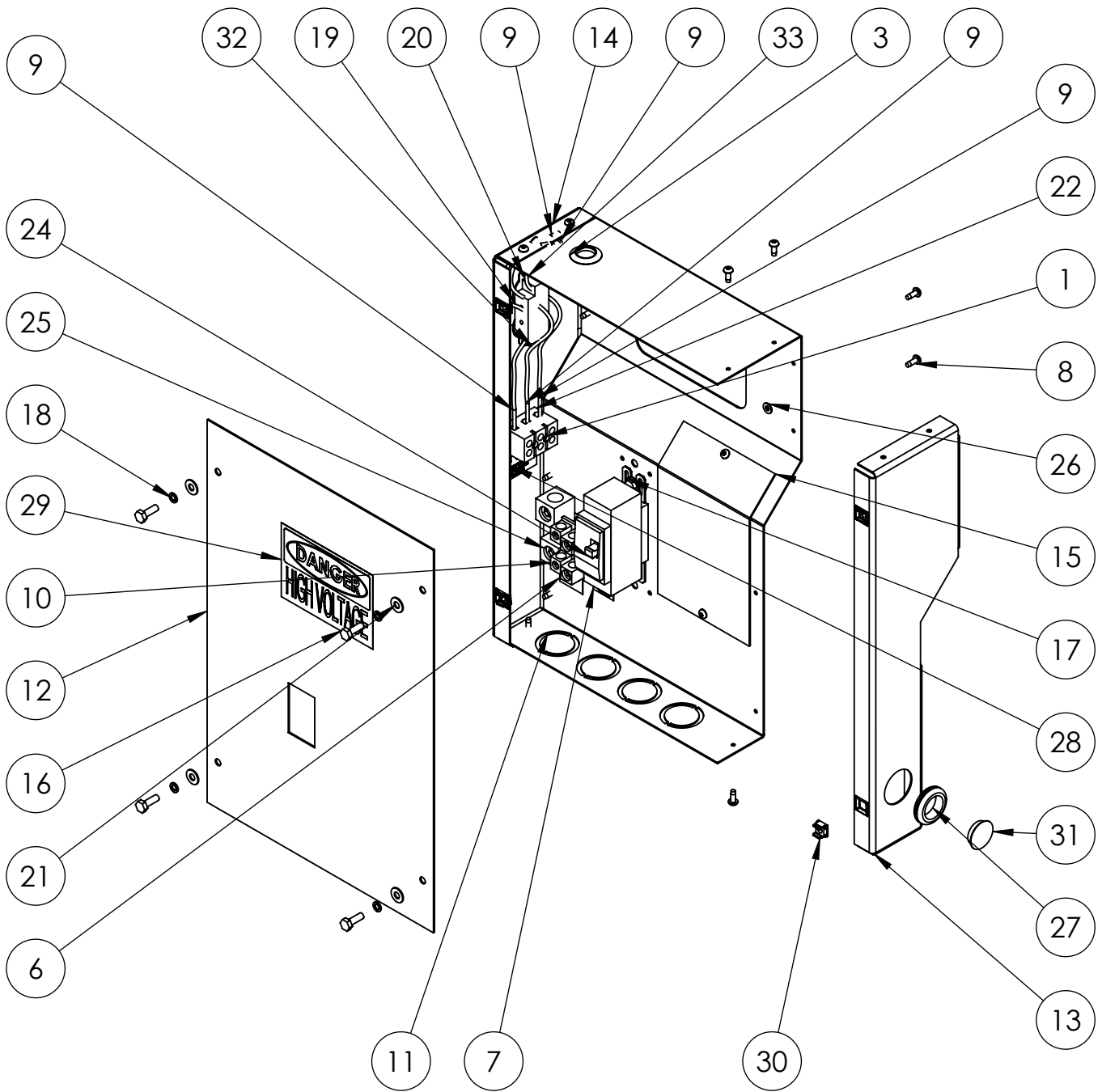
ITEM NO.	PartNo	DESCRIPTION	QTY.
1	80124-004	CURRENT TRANSFORMER 150:5	2
2	62486-000	GROMMET 1 X 1.375	1

## \*THREE PHASE KIT



ITEM NO.	PartNo	DESCRIPTION	QTY.
1	80124-004	CURRENT TRANSFORMER 150:5	3
2	410020-005	3PH AC HARNESS MKII	1

# CB Box DR1214-03

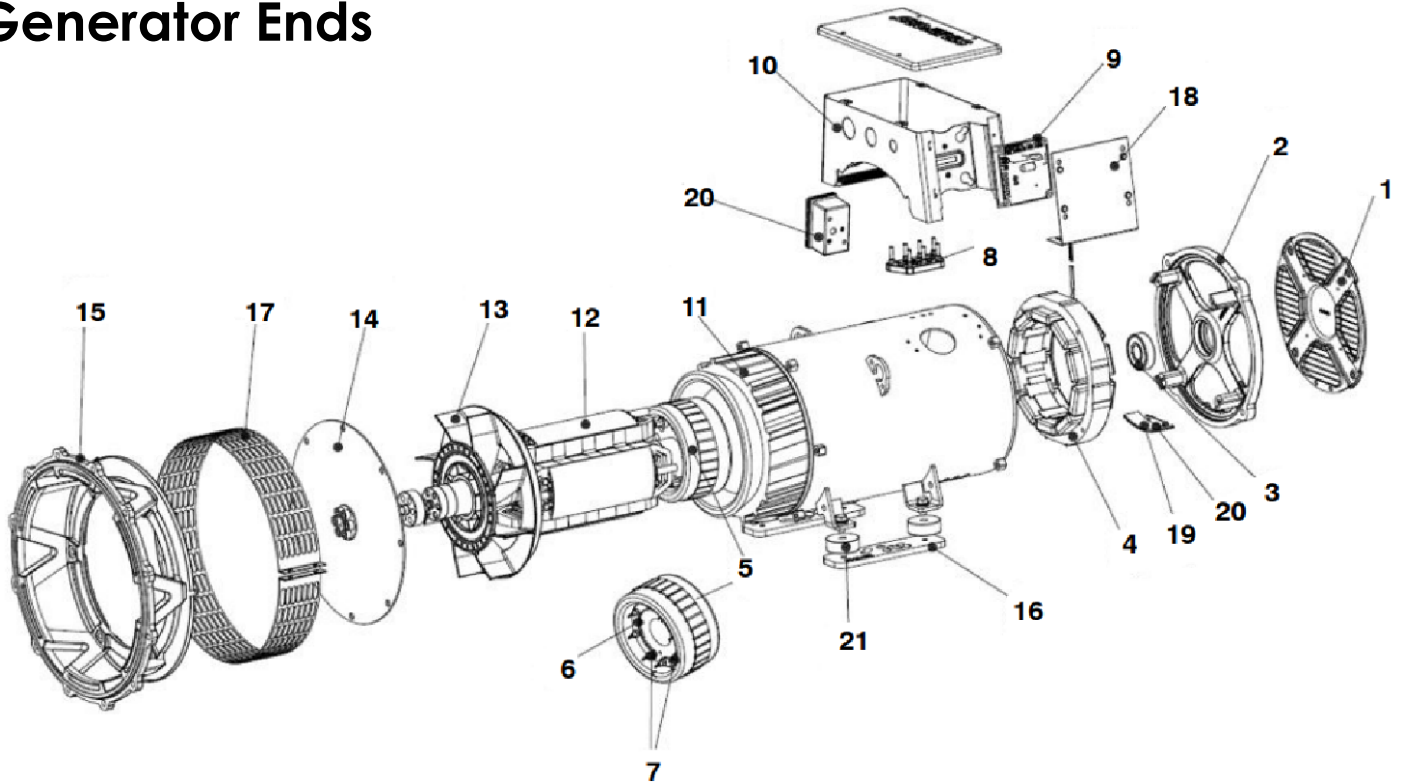




# CB Box DR12I4-03 Continued

ITEM NO.	PART NUMBER	DESCRIPTION	EXPLODED VIEW/QTY.
1	10846-000	RHMC 8-32 X 1.5	2
2	1116-000	.3125-18X1 HHB	1
3	15102-001	HOLE PLUG 7/8 POLY	1
4	16248-000	.25-20 FLANGE NUT	4
5	16249-000	.3125-18 FLANGE	1
6	16499-001	UL-DECAL-GROUNDING-WHITE	1
7	16501-000	DECAL-FLOATING NEUTRAL	1
8	21698-001	TORX PAN HEAD SCREW #10	16
9	300538-23	HARNESS KIT	1
10	350124-3	NEUTRAL ASSEMBLY 100 AMP	1
11	352308-027	CB MAIN BOX	1
12	352308-028	CB COVER	1
13	352308-032	CB LEFT SIDE BOX	1
14	352308-033	CB RIGHT SIDE BOX	1
15	352308-034	AVR COVER	1
16	466-000	.25-20X.75 HHB	6
17	476-000	.25-20X.625 HHB	2
18	479-000	LOCK WASHER, .25" SPLIT	4
19	48323-000	RECEPTACLE NEMA 5-15R DUPLEX	1
20	511-000	#8 FLATWASHER	2
21	512-000	.25 WASHER	6
22	51795-000	3 PT TERMINAL BLOCK	1
23	526-000	5/16 FLAT WASHER	1
24	57030-000	CIR. BRK. 50A-2PL-240V	1
25	58060-000	TERMINAL GROUND LUG	2
26	598-000	#10 WASHER	4
27	62486-000	GROMMET 1 X 1.375	1
28	64576-006	DECAL-GFCI PROTECTED UTILITY	1
29	91498-000	DECAL-DANGER HIGH VOLTAGE 3.5x5	1
30	92495-000	.25-20 TINNERMAN	4
31	93402-003	HOLE PLUG 1" DIA.	1
32	94000-000	RHMS 8-32X1/2	2
33	95985-000	NUT HEX #8-32 NYLOK	4

# Generator Ends

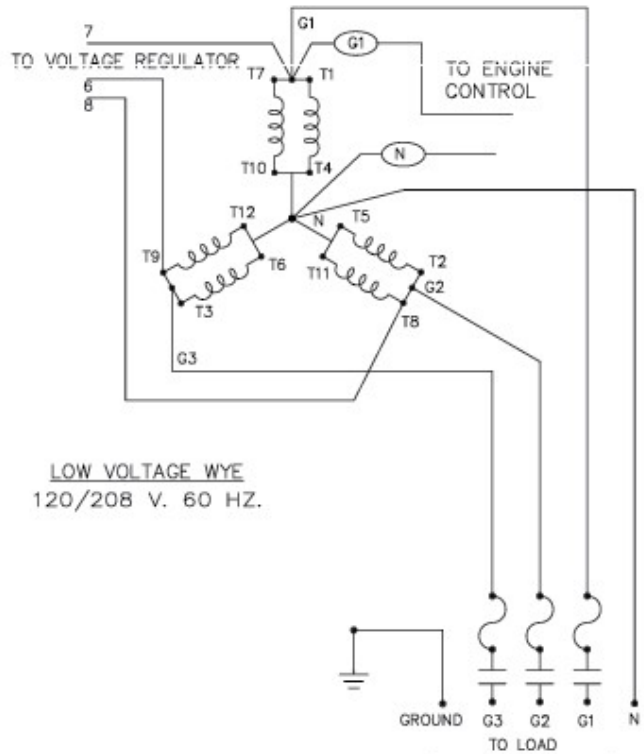
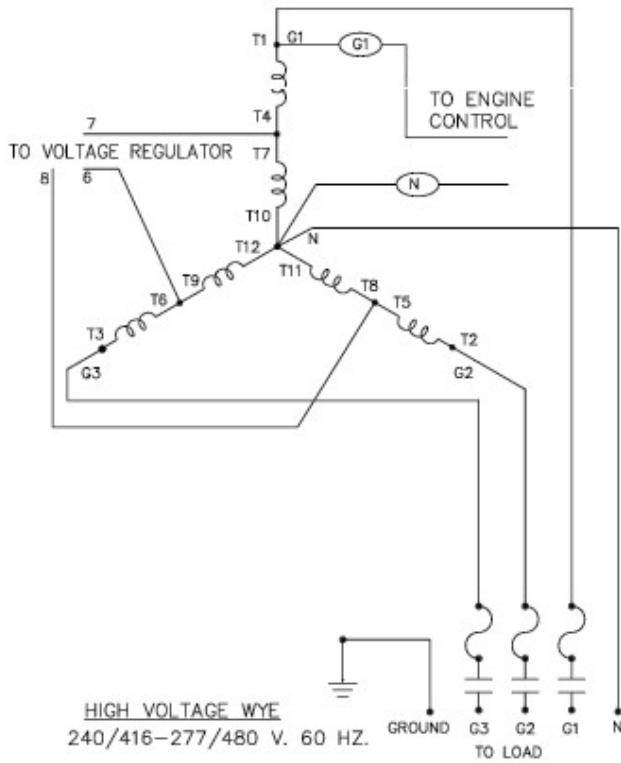


ITEM	DESCRIPTION	DR12I4-03	DR12I4-04, 17, 18	QTY
-	COMPLETE GENERATOR END	350023-14	350023-15	1
-	STAMFORD MODEL	SOL1-S1	SOL1-P1	-
-	WINDING	706	711	1
6	KIT, RECTIFIER, F1		8-107	1
7	KIT, DIODE REPAIR		8-108	1
9	AVR AS540		8-101	1
For additional parts support contact WINCO service.				

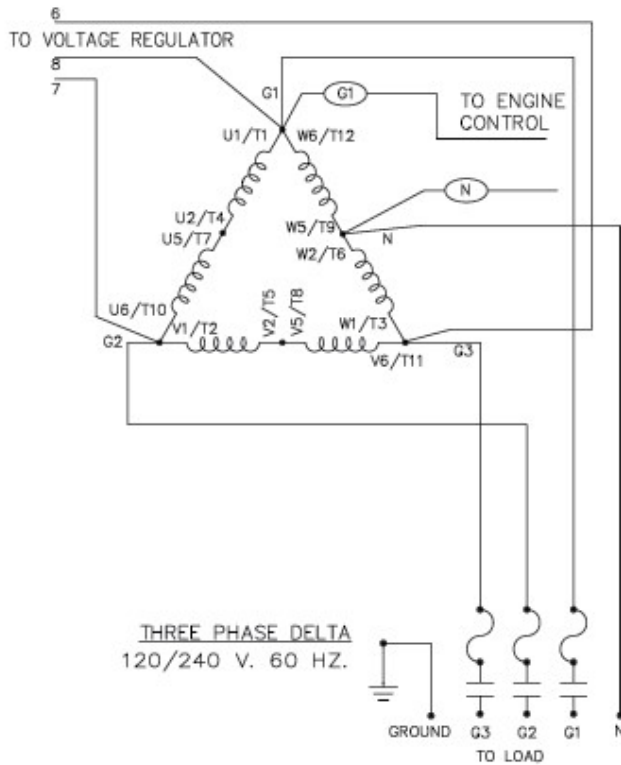
EXPECTED RESISTANCE ( $\Omega$ ) @ 22C		
MODEL	SOL1 S1 706	SOL1 P1 711
STATOR WINDING (PER PHASE SERIES CONNECTED)	0.191	0.641
ROTOR WINDING	0.524	0.509
EXCITER STATOR	17.638	
EXCITER ROTOR ( PER PHASE)	0.101	
POSITIVE SEQUENCE (R1)	0.239	0.801
NEGATIVE SEQUENCE (R2)	0.275	0.923
ZERO SEQUENCE (R0)	0.239	0.801
AUX WINDING	N/A	

# Generator Connections

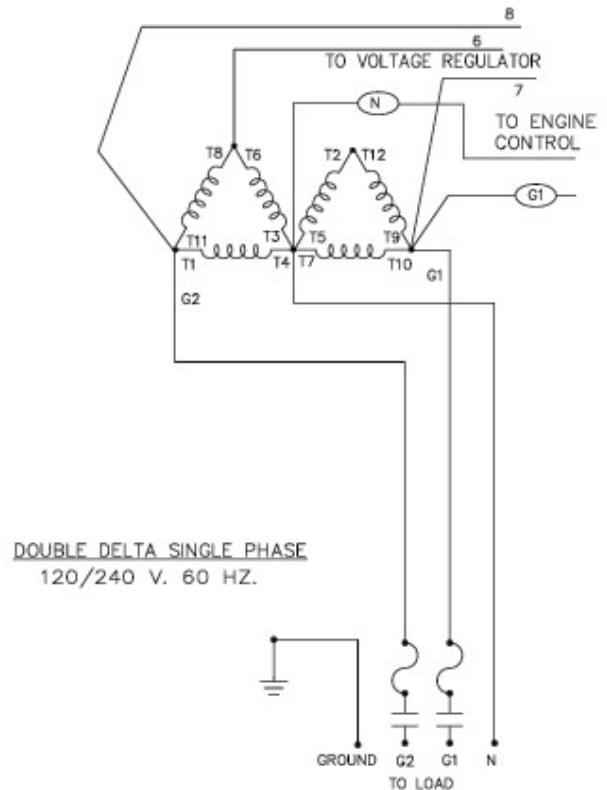
## THREE PHASE AC WIRE HIGH AND LOW WYE



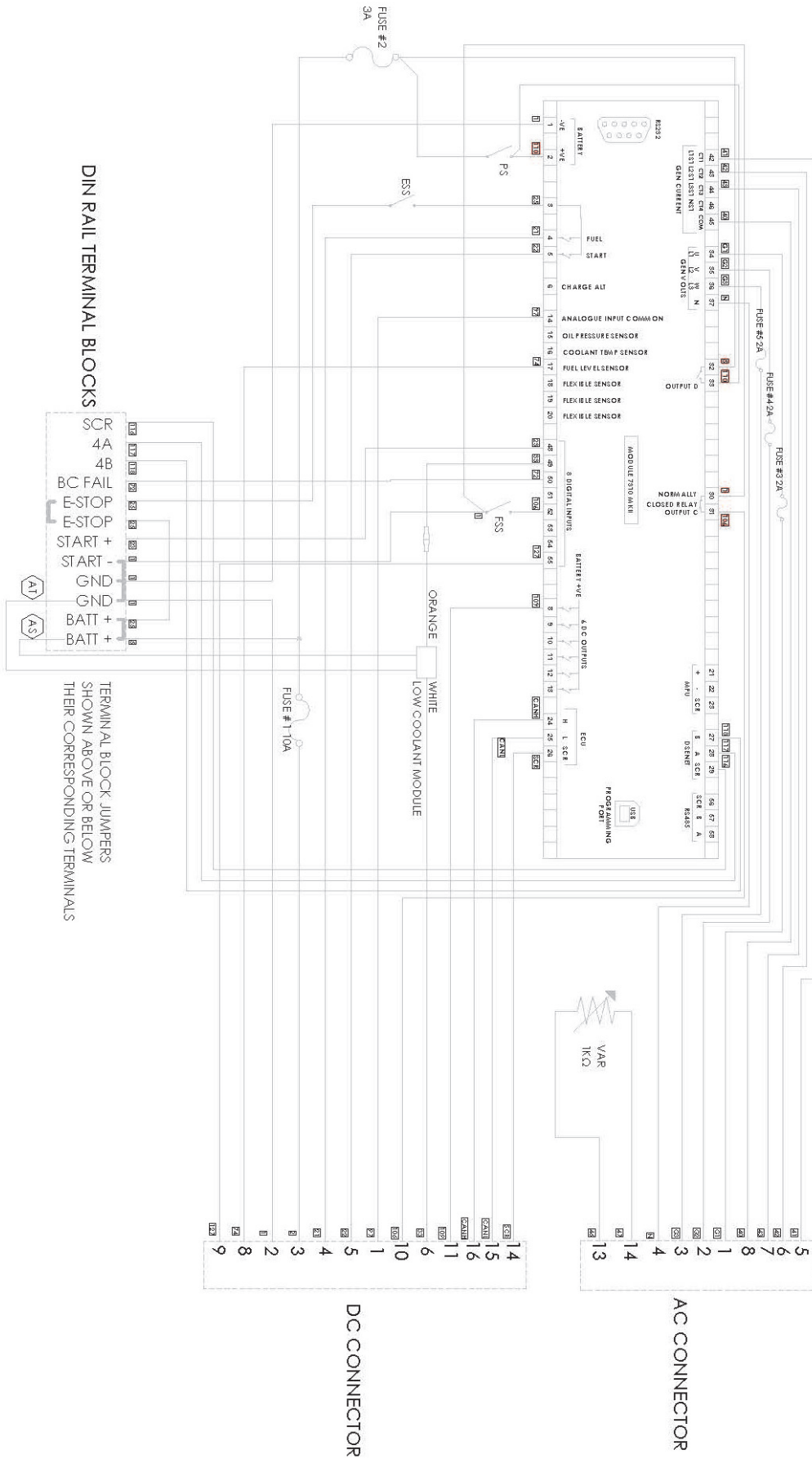
## THREE PHASE AC WIRING-DELTA



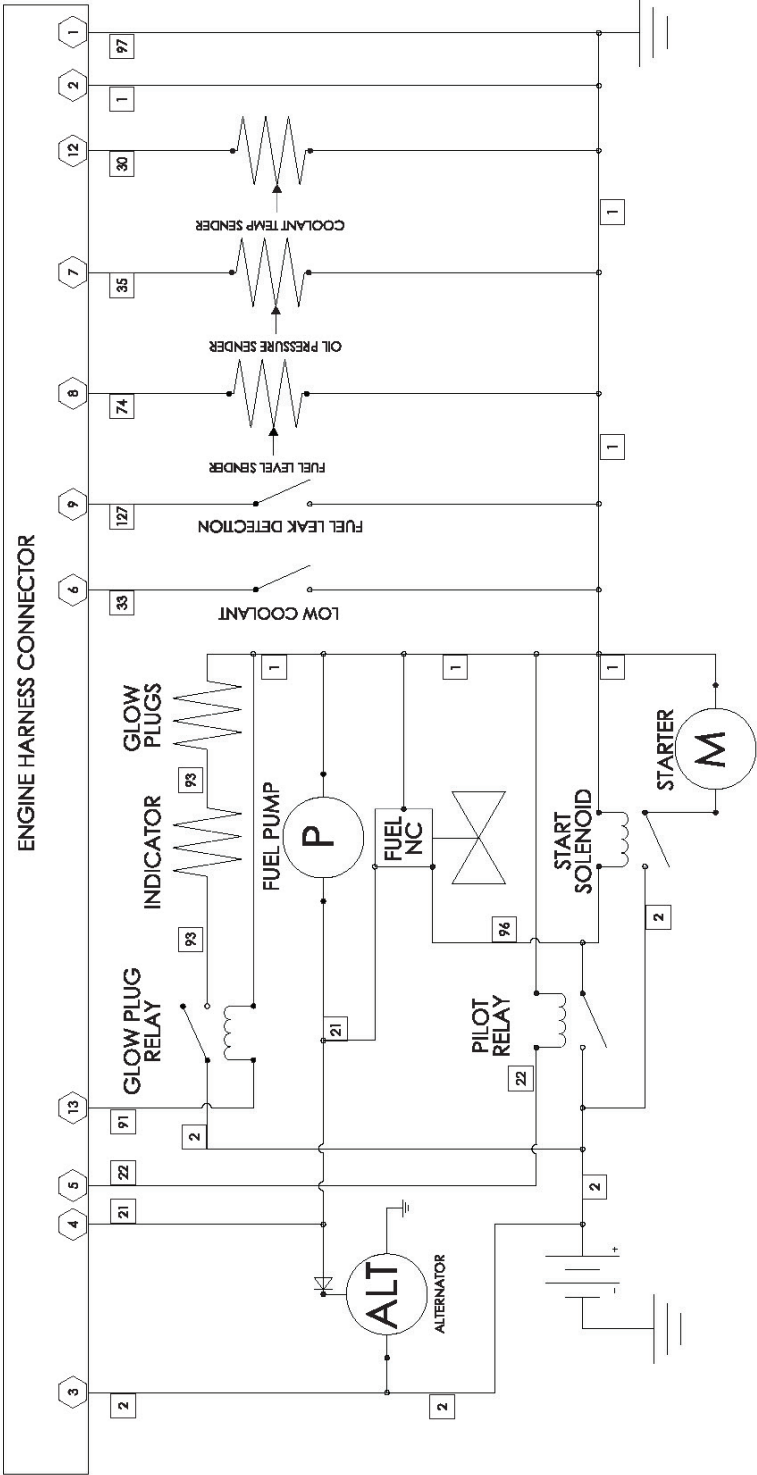
## SINGLE PHASE 311 WINDING



# Generator Control Schematic



# Engine Wiring Schematic



**NOTE:**  
 SOME MODELS COME  
 EQUIPPED WITH FUEL  
 LEVEL, OIL PRESSURE  
 AND COOLANT  
 TEMPERATURE SWITCHES.  
 SENDER UNITS PICTURED.  
 FUEL AND LOW  
 COOLANT MONITORING  
 FEATURES ARE  
 OPTIONAL.