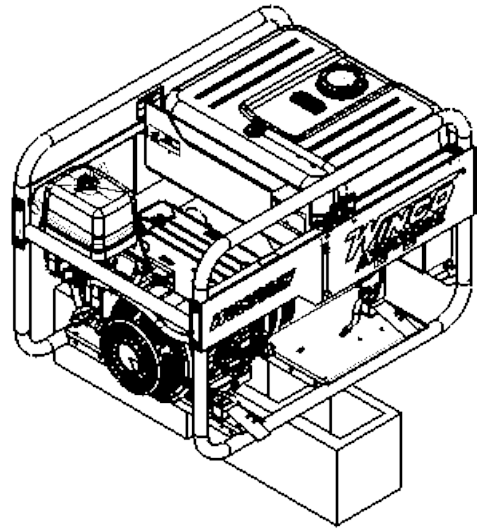
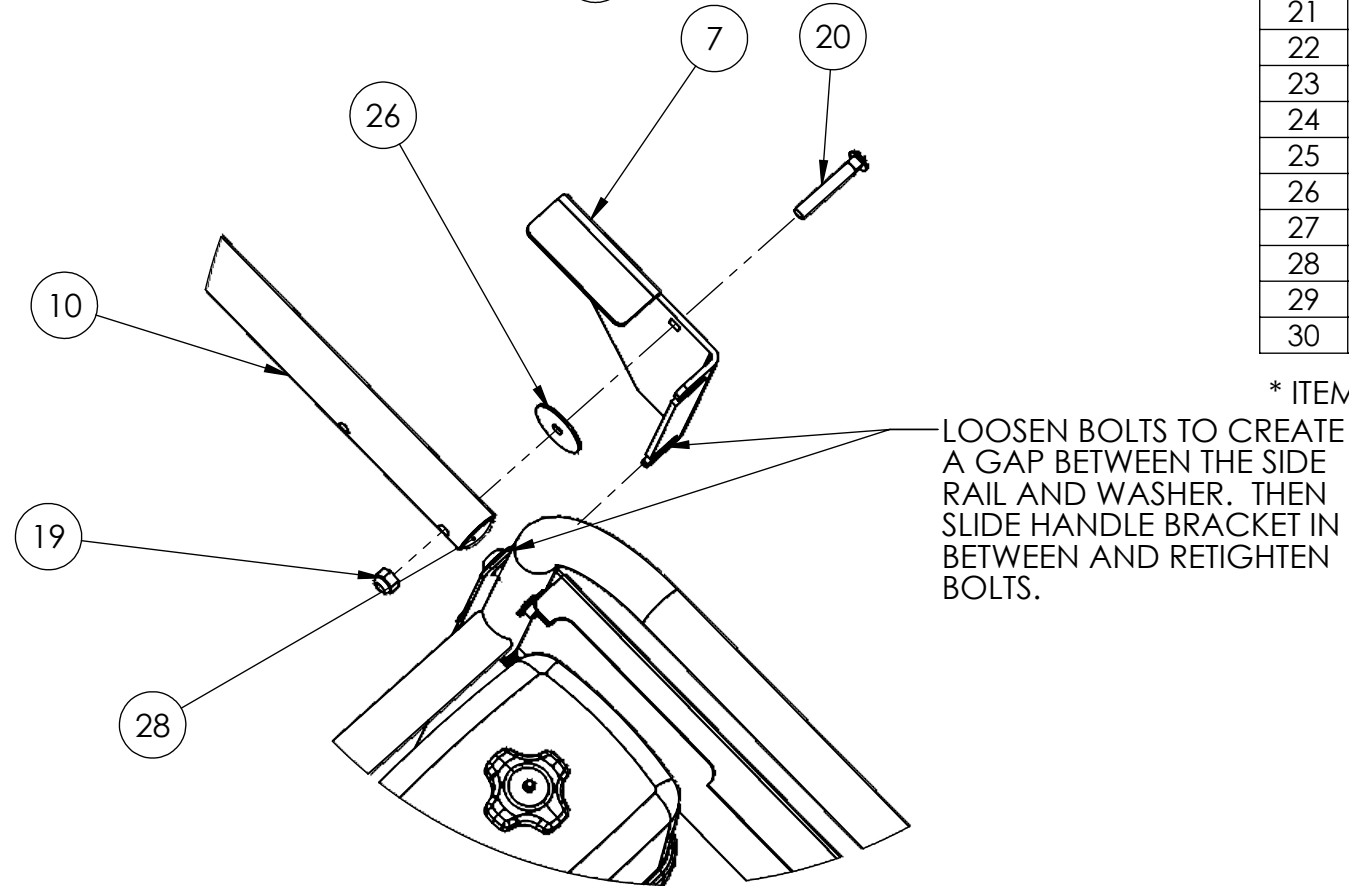
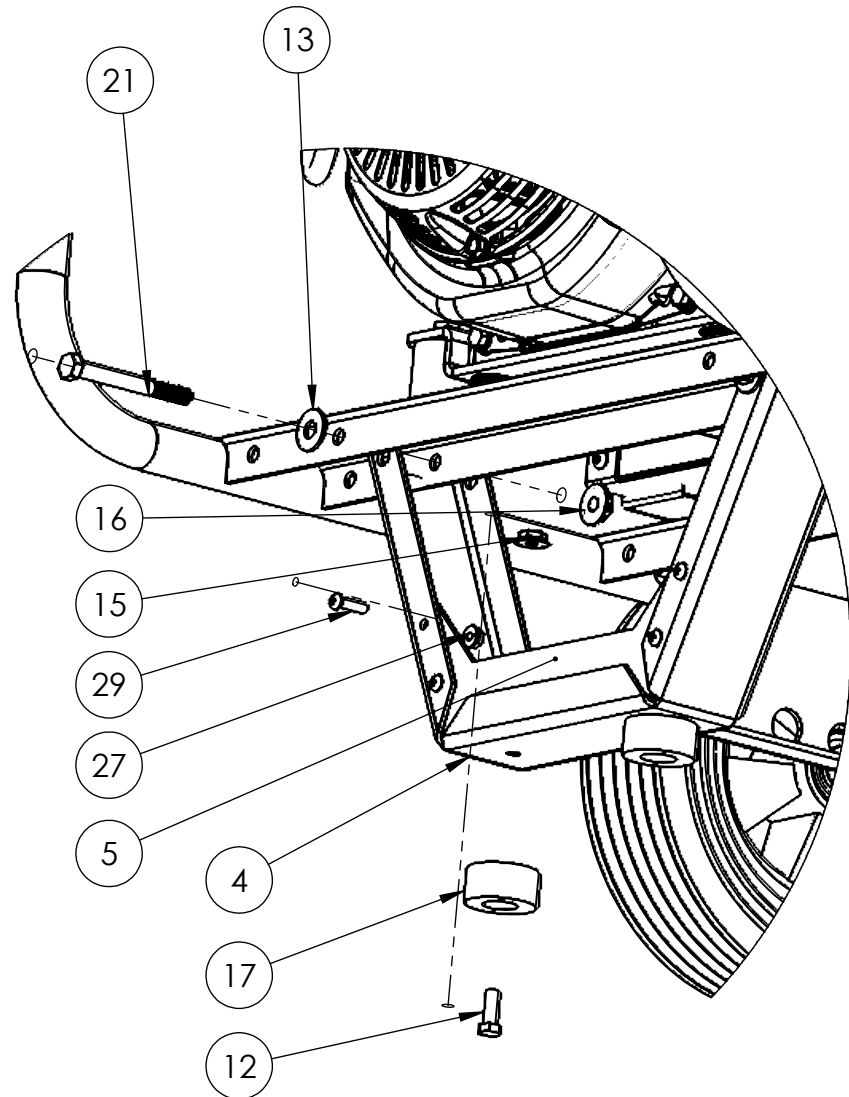
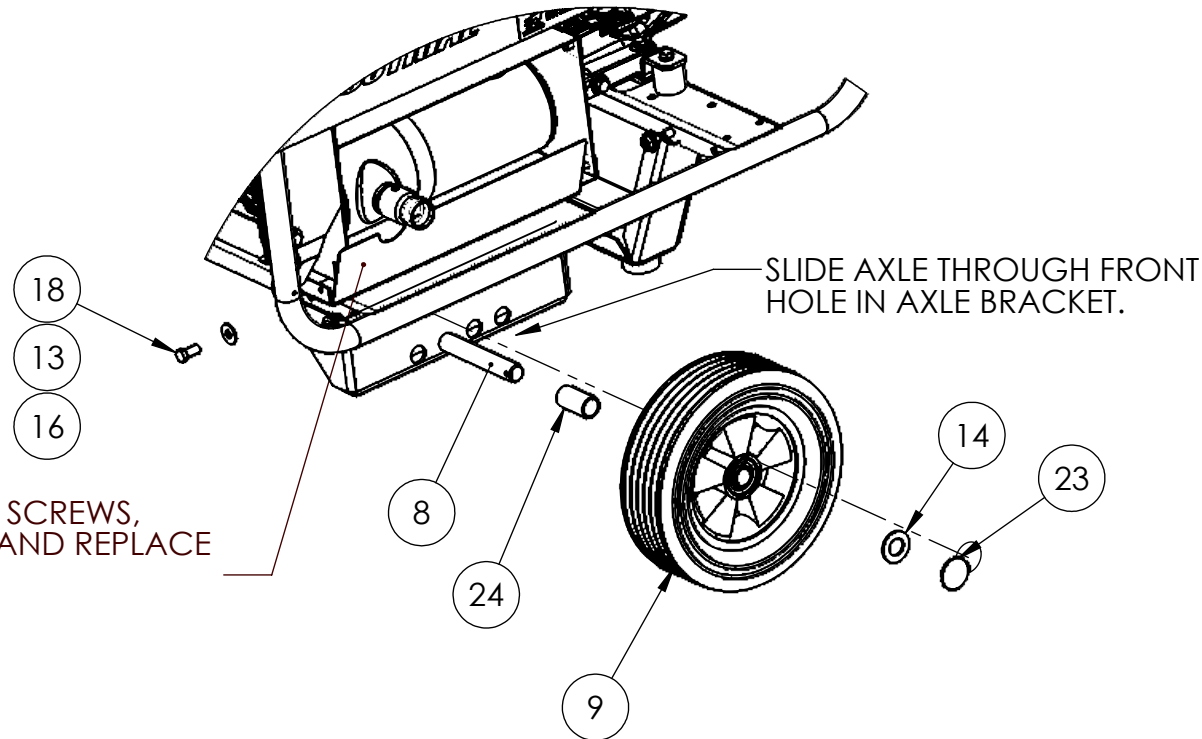


970-66191

PLACE GENERATOR ON CINDER BLOCKS TO PROVIDE ROOM FOR INSTALLATION.

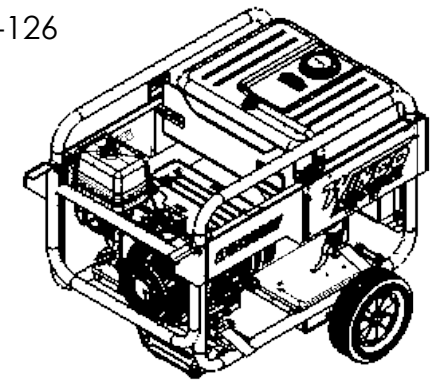


REMOVE TORX SCREWS, PLACE SHIELD AND REPLACE TORX SCREWS



ITEM	PART NO.	DESCRIPTION	QTY.
1	100047-726	CARTON	1
2	15775-020	AXLE BRACKET	2
3	16199-126	PARTS BAG	1
4	16205-005	FOOT	1
5	16205-006	FOOT SUPPORT	1
6	300066-16	HANDLE SUPPORT LEFT	1
7	300066-17	HANDLE SUPPORT RIGHT	1
8	64326-025	AXLE .75 X 28.50"	1
9	43657-008	WHEEL 10" DIA X 3" HARD RUBBER	2
10	61857-009	HANDLE, DOLLY KIT	1
11	15687-027	HEAT SHIELD BAFFLE	1
12	* 466-000	.25-20X.75 HHB	2
13	* 526-000	WASHER ID .375 OD .890	10
14	* 1178-000	FLAT WASHER .760 X 1.375 X .0897	2
15	* 16248-000	.25-20 FLANGE NUT	2
16	* 16249-000	.3125-18 FLANGE	10
17	* 20191-000	SHOCKMOUNT BLACK	2
18	* 467-000	HHCS 5/16-18X3/4 GR5	8
19	* 47517-000	.25-20 NYLOK	2
20	* 56842-004	BOLT CRG .25X20 X 1.75	2
21	* 57523-000	HHCS 5/16-18X3.00	2
22	* 62912-000	FOAM STRIP 1/2" WIDE 1/8" THICK	.25 FT
23	* 64327-000	HUB CAP .75IN STAINLESS STEEL	2
24	* 64688-007	SPACER, AXLE STUB, 3/4"X1.75	2
25	* 91372-000	CLEAR ULINE PARTS BAG	1
26	* 96286-006	FLAT WASHER NYLON 1.25X.260X.06	2
27	* 99671-000	#10-24 HEX NUT	4
28	* 93402-001	HOLE PLUG .8125" DIA.	2
29	* 420-001	BZ RHMS 10-24X3/4 PHILLIPS	4
30	* 16199-026I	INSTRUCTION SHEET	1

* ITEMS IN PARTS BAG 16199-126



REV.	IRN	DESCRIPTION	DATE	BY	APP'D
F	6112	420-001 NOW CALLED OUT IN PARTS BAG, REALIGNED MODEL	11/1/2016	RJD	DRC
E	5578	ADD (*) BY INSTRUCTION SHEET; REVISE 91372-000 DESCRIPTION	7/1/2016	SCN	ZJF
D	4286	UPDATE PARTS BAG TO MATCH EPICOR	9/3/2013	PJY	DRC
C		ADD 15687-027 HEAT SHIELD BAFFLE TO BOM	9/3/2013	PJY	DRC
B	2144	CHANGE 93402-003 TO -001; REMOVE 16343-000	8/20/2013	PJY	DRC
A		ORIGINAL	2/26/2013	MVW	DRC
REV.	IRN	DESCRIPTION	DATE	BY	APP'D

THIS DRAWING CONTAINS PROPRIETARY INFORMATION BELONGING TO WINCO. UNAUTHORIZED USE IS PROHIBITED.

DRAWN BY MVW	DATE 2/26/2013	CHK'D BY	DATE	ENG APPR.	DATE
TOLERANCE:	+/- 0.0625 DECIMAL +/- 1 DEG ANGULAR	TITLE: 2-WHEEL FLAT FREE DOLLY KIT			
MODEL:	DL, HPS, SMALL WC PORTABLES	PART: 16199-026			



REVISIONS

ALL DIMESNIONS INCH