

## Features

### Honda GC160 Engine

You expect the best; you get the best. The Honda GC160 provides the longevity you expect from Honda.

### Low Oil Protection

In the event there is low oil pressure, the engine will shut down, and protect the engine from damage.

### Powder Coat Paint

For an incredibly durable finish.

### Light Weight

When you need a Lil' helping hand on your worksite, at 68 lbs. the W3000H is easily carried.

### EPA Approved Fuel Tank

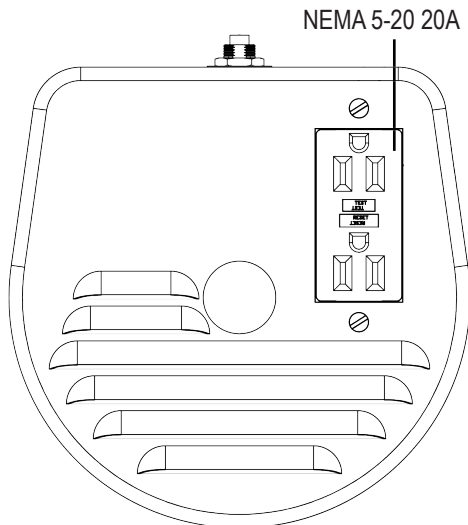
Equipped with an EPA approved plastic fuel tank.

### 100% Load Tested

You won't find statistical sampling here. We load test every generator before it leaves our facility.

## INDUSTRIAL *Lil' Dog*

**3,000 Starting Watts**  
**2,400 Running Watts**



## Optional Accessories

### Plug-In Line Voltage Monitor

For when you want to verify the voltage output.

### Maintenance Kit

Keep the engine at its peak performance to ensure the generator will be ready when needed most.

## GENERATOR

STARTING WATTS	3,000
RUNNING WATTS	2,400
RUNNING AMPS @120 VAC	20
VOLTAGE REGULATION	CAPACITOR +/-5%
FREQUENCY REGULATION	+/-3%
MAIN CIRCUIT BREAKER	20 AMP
NEUTRAL BONDED	YES
120 VOLT RECEPTACLES	(2) NEMA 5-20 20A (GFCI)
GENERATOR WARRANTY <sup>(1)</sup>	1 YR COMMERCIAL

NOTES: (1) For generator warranty information contact your local WINCO dealer.

## GENSET

MOTOR STARTING (CODE G) <sup>(1)</sup>	.75 HP
SOUND DATA <sup>(2)</sup> FULL LOAD	72
LIFTING EYE	YES
ASSEMBLED IN	USA
EPA APPROVED	YES
CARB APPROVED	YES
CSA APPROVED	NO
UNIT WARRANTY	1 YR COMMERCIAL

NOTES: (1) Code G capacitor start motor. (2) All measurements are in db(a). Tested at 7 meters (23 ft.) (3) For generator warranty information contact your local WINCO dealer.

## ENGINE

ENGINE BRAND	HONDA
ENGINE MODEL	GC160 OHC
ENGINE STARTER	RECOIL
ENGINE SPEED	3600 RPM
ENGINE CYLINDERS	SINGLE
DISPLACEMENT/TYPE	160 CC / OHV
LOW OIL PROTECTION	STANDARD
RECOMMENDED OIL	10W-30
OIL CAPACITY <sup>(1)</sup>	.61 QT
FUEL TANK	2 QT
FUEL GAUGE	NO
HALF LOAD RUN TIME	1.5 HOURS
TIME METER	NO
ENGINE WARRANTY <sup>(2)</sup>	1 YR COMMERCIAL

NOTES: (1) The recommended oil is for normal applications. See operator's manual for the recommended oil for your needs. (2) Contact your local Honda service center for engine warranty assistance.

## DIMENSIONS

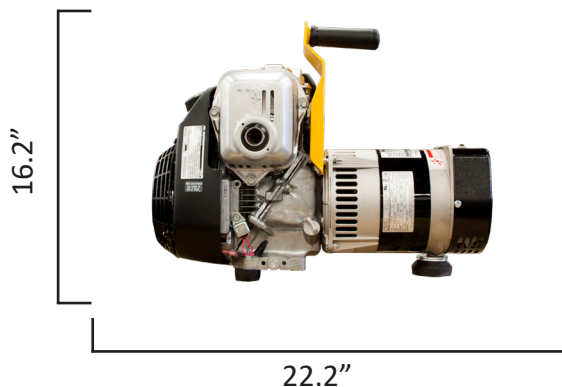
DIMENSIONS	22.2" x 14.7" x 16.2"
NET WEIGHT	68 LBS

NOTE: Dimensions are L x W x H

## SHIPPING

SHIPPING DIMENSIONS	25" x 19" x 19"
SHIP WEIGHT	72 LBS
FREIGHT CLASS	70

NOTE: Dimensions are L x W x H



Specifications are subject to change without notice.